

### Solid Gauge Carrier

#### Application

DataCan's Solid Gauge Carrier is our most popular gauge carrier and is customizable to suit the user's needs. The gauge is attached directly to a gauge port with a high pressure, metal to metal seal that prevents leaks from entering. The Solid Gauge Carrier has no welds, is pressure testable and can be configured to measure both internal (tubing) and external (annulus) pressure.

#### Features

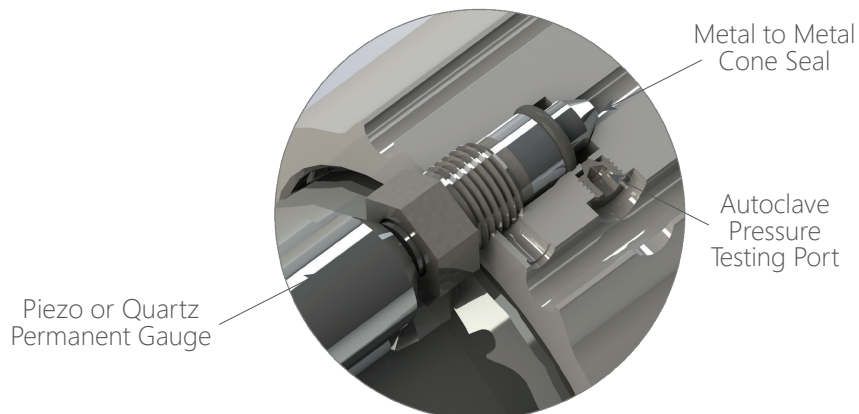
- Non Welded Construction
- Custom Configurations
- Metal to Metal Seals
- Pressure Testable

#### Benefits

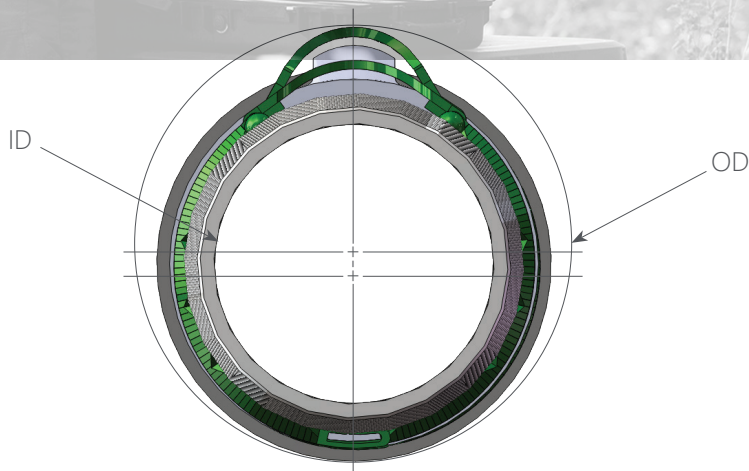
The solid, non-welded construction, of the Solid Gauge Carrier reduces possible leak paths while ensuring high burst and collapse strength.

#### Assembly Includes

- Solid Gauge Billet Carrier
- Two 6 Foot Long Pup Joints (Single Gauge Only)
- Coupling (Single Gauge Only)
- Gauge Protector
- Pressure Test Fitting with 1/16 NPTF
- Pressure Port Plug
- Set Screw
- Pressure Connection Kit (Slim Multi Gauge Only)



### Solid Gauge Carrier



Solid Gauge Carrier Assembly - Single Gauge (All Ported)												
Tubing	OD	ID	Drift ID	Offset	Weight	Tensile	Collapse	Burst	Connection	Material	Part No.	
(inches) (mm)				(lb/ft)	(lb)	(psi)						
2.375 60.3	3.525 89.5	1.869 47.4	1.773 45.0	0.325 8.3	5.95	102,990	15,280	14,970	EUE	4140 L80	100287	
										Teflon ID	100288	
									EUE Modified	4140 L80	100289	
										Teflon ID	100290	
2.875 73.0	4.125 104.7	2.441 62.0	2.347 59.6	0.313 8.0	6.5	105,570	11,160	10,570	EUE	4140 L80	100316	
										Teflon ID	100317	
									EUE Modified	4140 L80	100318	
										Teflon ID	100319	
3.5 88.9	4.813 122.2	2.992 78.0	2.867 72.8	0.281 7.1	9.3	159,090	10,530	10,160	EUE	4140 L80	100345	
										Teflon ID	100346	
									EUE Modified	4140 L80	100347	
										Teflon ID	100348	
4.5 114.3	5.762 146.4	3.958 100.5	3.833 97.4	0.281 7.1	12.75	208,730	7,500	8,430	EUE	4140 L80	100374	
										Teflon ID	100375	
									EUE Modified	4140 L80	100376	
										Teflon ID	100377	

Solid Gauge Carrier Assembly - Multi Gauge Assembly													
Tubing	OD	ID	Drift ID	Offset	Weight	Tensile	Collapse	Burst	Connection	Material	Ported	Part No.	
(inches) (mm)				(lb/ft)	(lb)	(psi)	Slim	Square					
3.5 88.9	5.25 133.4	2.992 78.0	2.867 72.8	0.50 12.7	9.3	159,090	10,530	10,160	EUE	4140 L80	Yes	108925	108843
											No	108919	-
4.5 114.3	6.625 168.3	3.958 100.5	3.833 97.4	0.531 13.5	12.75	208,730	7,500	8,430	EUE	4140 L80	Yes	108924	108842
											No	108920	-
5.5 139.7	7 177.8	4.892 124.2568	4.767 121.0818	0.425 10.795	24.42	338,000	6,200	7,020	LTC	4140 L80	Yes	106896	-