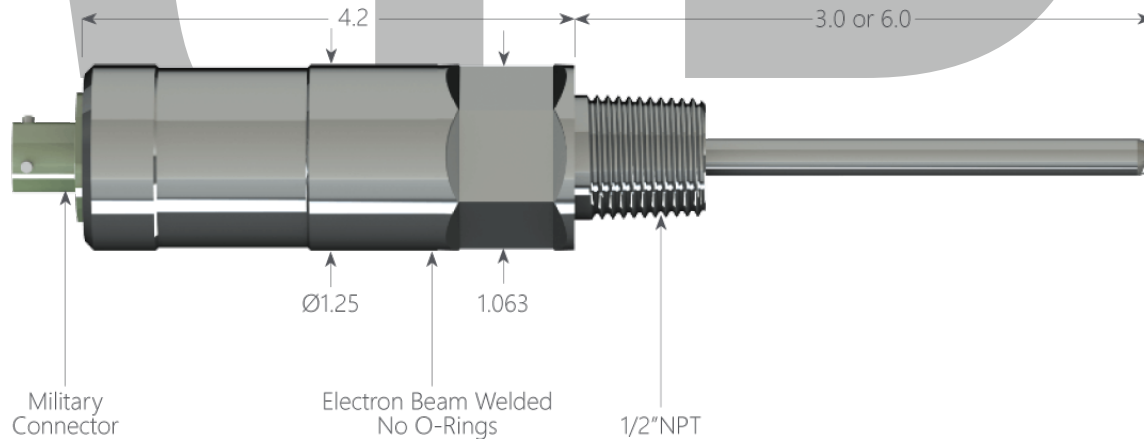


# RTD Temperature Transmitter



## Application

The Temperature Transmitter is used to measure the temperature of the wellbore at surface and can reach temperatures up to 200°C.

## 1.25" Temperature Transmitter - SS17-4

Probe Length	Temperature	Part No.
3" Probe	-40°C to 85°C	101499
6" Probe		101500

## Accessories

Accessory Type	Part No.
Data Cable 25ft	101796
Data Cable 50ft	101797
Data Cable 100ft	101798
Adapter 1/2 NPT Pin x HM4	101438

## Specifications

	Temperature
Accuracy Up To	0.2°C
Resolution	0.005°C
Communication Method	RS-485 Modbus