

125W Quartz SRO

Application

The 1.25" Quartz SRO converts our standard quartz memory gauge into a real-time surface readout tool with a GO connection.

Benefits

Quartz gauges provide operators with the highest possible data stability and resolution. DataCan recommends quartz gauges in wells with bottom hole temperatures above 135°C.

Features

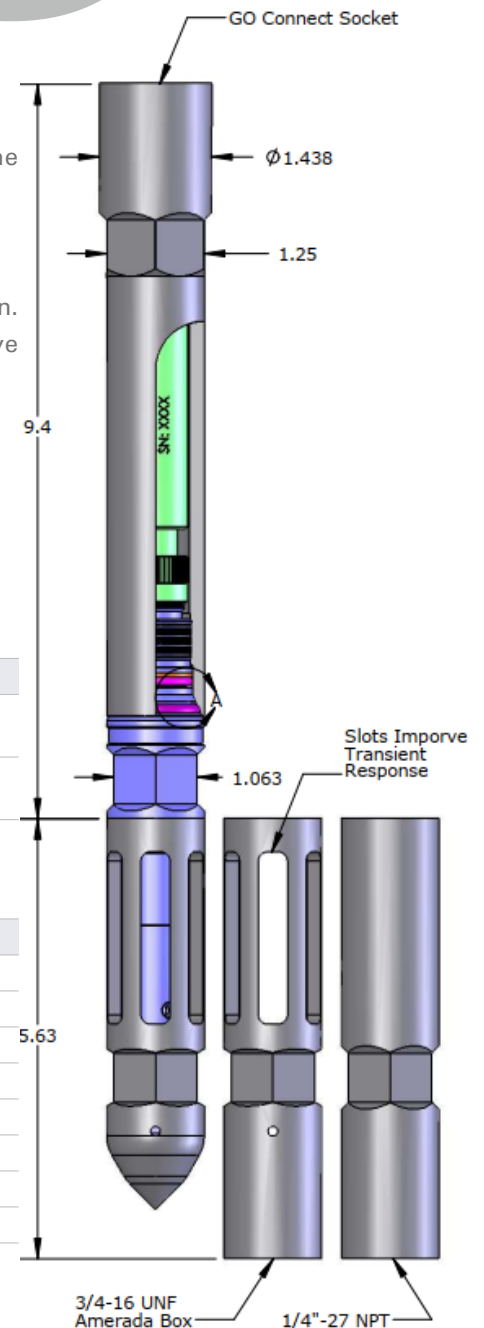
- Go Connection

1.25" Quartz SRO - Inconel 718

Pressure	Temperature	Part No.
10,000 psi	150°C	100711
16,000 psi		100228
16,000 psi	177°C	100229
20,000 psi		100230

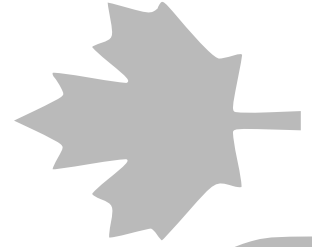
Accessories

Accessory Type	Part No.
Quartz SRO Housing_1.438 GO_Inconel 718	101819
Quartz RSO Module	101864
Bullnose Stainless Steel	102321
Crossover 0.75-16 Stainless Steel	102323
Redress Kit Viton 90	100908
Redress Kit Aflas	100237
Portable Surface Logger	102992
USB Download Cable	100682



Specifications

	Pressure	Temperature
Accuracy	± 0.02 % F.S.	± 0.2°C
Resolution	0.00006% F.S.	0.005°C
Drift	≤ 2 psi/year	< 0.1°C/year
Memory Capacity at Surface	20 Million Samples	
Communication Method	USB	



DataCan