

WHO

Outlet II

Application

A dual barrier system when exiting TEC (tubing encapsulated cable) from the wellhead. The WHO II has metal to metal seals as well as a welded glass feedthru barrier.

Features

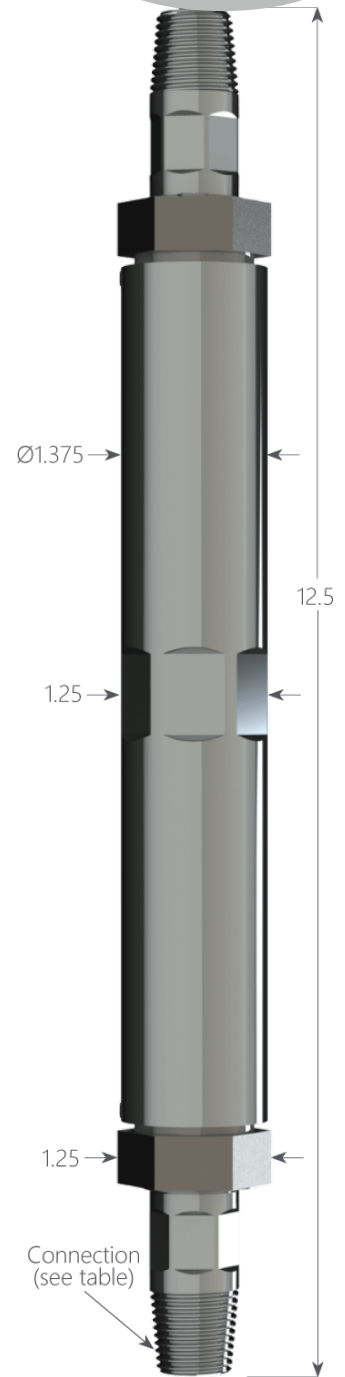
- CSA Class I, Groups A,B,C,D T6
- 50 Vdc, 100 mA
- MWP = 5,000 PSI / 35,000 KPA or 10,000 PSI / 70,000 KPA
- Metal to Metal Seals
- Welded Glass Feedthru
- Single or Multi-Conductor

CSA Approved Wellhead Outlet II

Wire Size	Connection	Material	Pressure Rating	Part No.
1/8" OD	1/2" NPT	Stainless Steel	5,000 psi	102186
		Inconel 718		109091
Stainless Steel		10,000 psi	102316	
Inconel 718			109092	
1/4" OD	9/16" Autoclave	Stainless Steel	5,000 psi	112277
	1" Autoclave			102648
4 mm OD	1/2" NPT		112033	102651

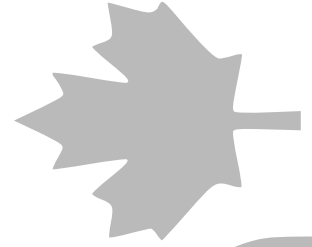
Wellhead Outlet II

Wire Size	Connection	Material	Pressure Rating	Part No.
1/8" OD	1/2" NPT	Stainless Steel	10,000 psi	102631
1/4" OD				102630
4 mm OD				101019



Multi Conductor Wellhead Outlet II

Wire Size	Connection	Material	Pressure Rating	Part No.
1/8" OD	1/2" NPT	Stainless Steel	10,000 psi	102647
1/4" OD	9/16" Autoclave			102451
4 mm OD	1/2" NPT			102650
				102653



DataCan