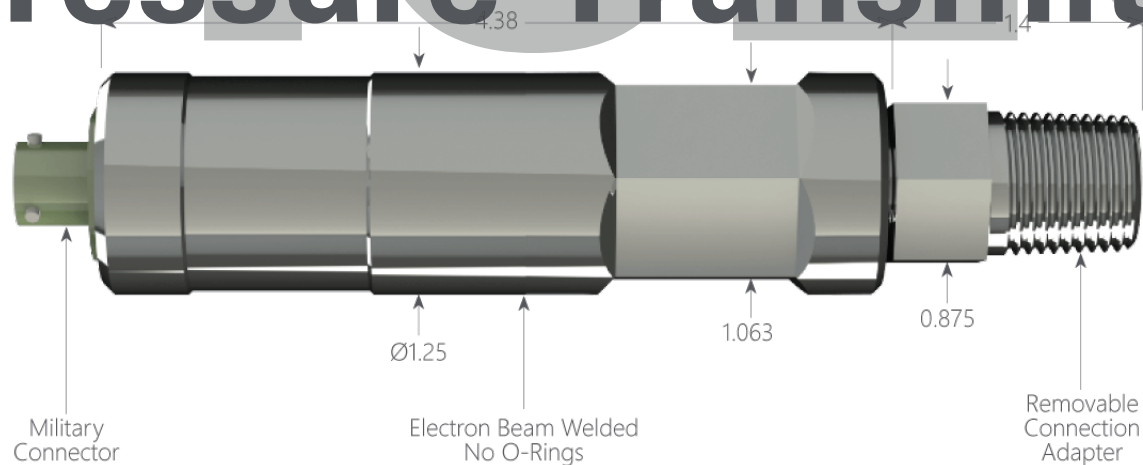


# Piezo Pressure Transmitter



## Application

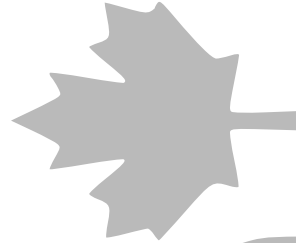
The Piezo Pressure Transmitter uses an electron beam welded piezo sensor to measure pressure of the wellbore at surface. The pressure transmitters have two connections. There is a 4-pin military connector for electrical connections at the top, and a pressure fitting to connect to the pressure port at the bottom. It is quick and easy to install in the wellhead, with a customizable pin or box connection to meets the user's needs.

## Benefits

The Piezo Pressure Transmitter has a compact design and low power consumption, making it cost effective for the customer. It also produces the same high quality data that our downhole gauges produce; data that is high accuracy and high resolution while being very reliable with an electron beam welded sensor.

## Features

- Easy to Use Software
- Multiple Sensor
- Custom Pin or Box Connections Upon Request
- Intrinsically Safe Option



DataCan

### 1.25" Pressure Transmitter

Maximum Pressure	Temperature	Connection	Part No.
750 psi	85°C	1/4" NPT	108158
1,500 psi			108159
3,000 psi			108160
5,000 psi			108161
10,000 psi			108162
15,000 psi		1/4" Autoclave	108163
20,000 psi			108164
25,000 psi			108165
30,000 psi			108166

### 1.25" Pressure Transmitter - Intrinsically Safe

Maximum Pressure	Temperature	Connection	Part No.
750 psi	85°C	1/4" NPT	101631
1,500 psi			101630
3,000 psi			101629
5,000 psi			101628
10,000 psi			101627
15,000 psi		1/4" Autoclave	101626
20,000 psi			101625
25,000 psi			102369
30,000 psi			102370

### Accessories

Accessory Type	Part No.
Data Cable 25ft	101796
Data Cable 50ft	101797
Data Cable 100ft	101798
Adapter 1/2 NPT Pin x HM4	101438

### Specifications

	Pressure	Temperature
Accuracy Up To	0.03% F.S.	0.25°C
Resolution	0.0003% F.S.	0.005°C
Drift	< 3 psi/year	< 0.1°C/year
Communication Method	USB	