

Multi-Gauge Piezo Bottom Pressure Tool

Application

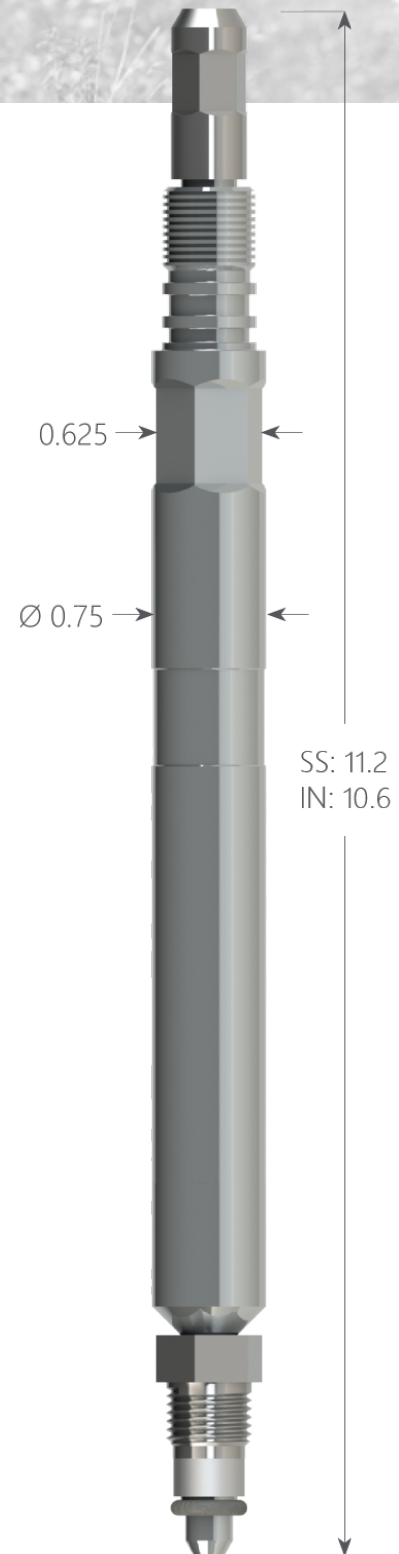
DataCan's Multi-Gauge Piezo Bottom Pressure Tool can be used on its own or at the bottom of a multi-gauge pressure system.

Features

- Fully Welded Construction
- Hermetically Sealed
- Corrosion Resistant - NACE MR0175
- Slim 0.75" Diameter

Benefits

The Multi-Gauge Piezo Bottom Pressure Tool is easy to install and produces high quality reservoir data in real time. It's fully welded construction, dual protection metal to metal seal design, and hermetically sealed electronics make it a very reliable product. This is the final gauge in a multi-gauge system. Alternatively, this gauge can be used on it's own as a single gauge in a single gauge system.



Multi-Gauge Piezo Bottom Pressure Tool - Stainless			
Pressure	Temperature	Wire Size	Part No.
750 psi	125°C	1/4"	108928
1,500 psi			108929
3,000 psi			108844
6,000 psi			108931
10,000 psi			108932
15,000 psi			108933

Specifications		
	Pressure	Temperature
Accuracy Up To	0.022% F.S.	0.25°C
Resolution	0.0003% F.S.	0.005°C
Drift	< 3 psi / year	< 0.1°C / year