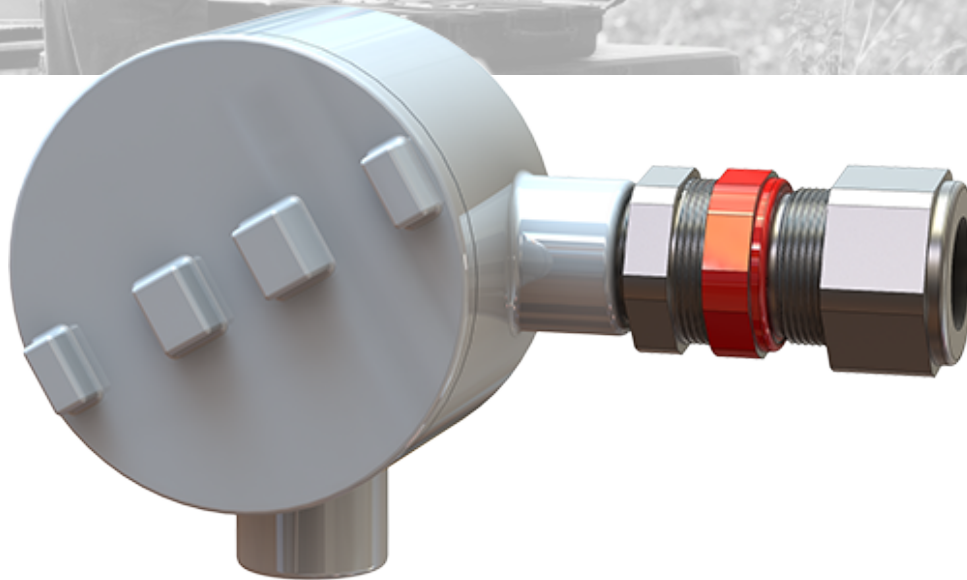


### Junction Box with Lightning Suppression



#### Application

DataCan's Junction Box with Lightning Suppression helps protect your electronics for lightning strikes and other electrical surges.

#### Features

- Using three parallel suppression devices, the lightning suppression junction box will dissipate a 5,000 Watt pulse for a 10 micro second period.
- 40 VDC Operating voltage.
- Explosion Proof Rating.
- Water Proof

Lightning Suppression Junction Box		
Part Number	106400	
Wellhead Lightning Suppression	5000W Triple Suppression 10/1000 $\mu$ s	
Connections	1/2" NPT & 14 AWG TECK	
Dimensions	7.2" x 4.6" x 2.9"	
NEC/CEC	Class I, Division 1 and 2, Groups B, C, D Class II, Division 1 and 2, Groups E, F, G Class III NEMA 3, 4, 4X Class 1, Zone 1 and 2, IIA, IIB	
NEC/CEC Certifications and Compliance	UL Listed	E85310, E10444
	CSA Standard	C22.2 No. 25, C22.2 No. 30
	CSA Certified	025875