

Inline Tension Calibrator

Application

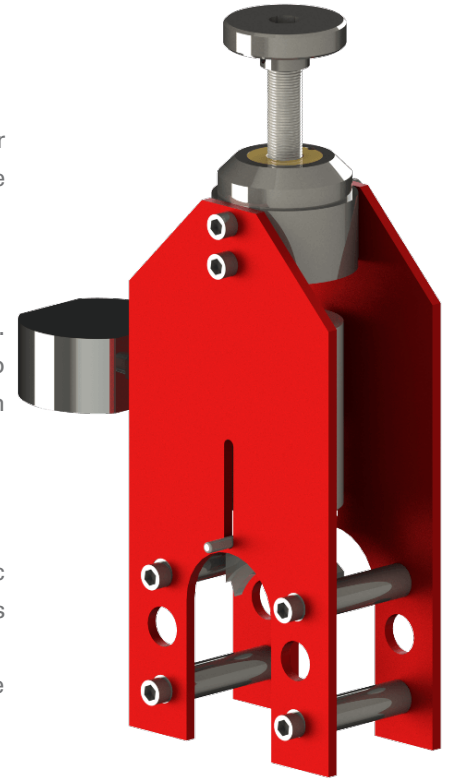
The Inline Tension Calibrator connects to a DataCan Inline Tension Device to allow for quick and easy calibration. Frequent calibration keeps the tension measurement precise and accurate. Available for both open hole and cased hole Inline Tension Devices.

Benefits

The Inline Tension Calibrator has a compact design, making it easily portable. Calibration can be done quickly, easily and safely as it does not need a high tension to calibrate. This device allows a user to apply the equivalent force to a full line tension pull to the tension device without the danger of applying extreme load to a wireline.

Features

- Downward force is applied to the load pin to simulate line load, and hydraulic force applied is measured by use of a digital pressure gauge. The pressure is read using the digital gauge.
- An Inline Tension Device can be calibrated without removing it from the measuring head or the wireline unit it is attached to.



Inline Calibration Device

Description	Part No.
Cased Hole Inline Tension Device Calibrator	AM401UU0001
Open Hole Inline Tension Device Calibrator	AM401UU0003

Accessories

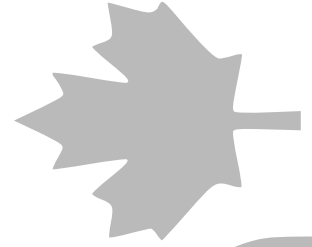
Description	Part No.
Inline Tension Cable Assembly	AE304UU0035

Physical Dimensions

Description	Value - in (mm)
Height	15.25 (387)
Width	4.7 (119)
Length	9.3 (236)

Associated Equipment

Description	Part No.
Tension Device for Braided Line Counter - Cased Hole	AM604UU0001
Tension Device for Braided Line Counter - Open Hole	AM604UU0004
Tension Device for Universal Counter - Cased Hole	AM604UU0008
Tension Device for Universal Counter - Open Hole	AM604UU0009



DataCan