

Cableheads

Application

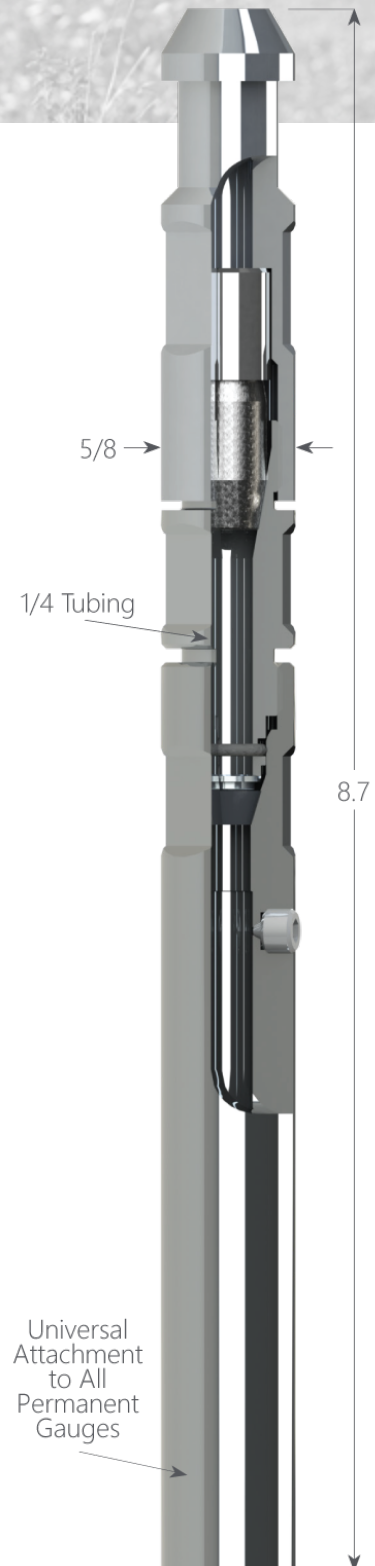
DataCan's Cablehead is placed at the top of the toolstring and provides a mechanical and electrical connection between the tool string and wireline cable. The electrical connection between the conductor of the wireline and the electrical contacts of the permanent gauge is very reliable while the mechanical connection provides a leak proof barrier from the surrounding wellbore fluids. The Cablehead is also designed to be the weak point of the tool string, so if the tool string becomes stuck, the cable can be pulled free in a controlled and safe manner.

Features

- Pressure Testable Option
- Economy Option
- Universal Connection
- Corrosion Resistant NACE MR0175
- Metal to Metal Seals
- Sweet or Sour Versions
- Available Jaw Style Strain Relief

Benefits

All DataCan Cableheads have a simple, yet reliable design that makes them quick and easy to install.



| Cablehead | | | | | |
|-------------------|----------|--------------|------------------------------|----------|----------|
| Assembly Type | Testable | Locking Dogs | Material | Cable OD | Part No. |
| Pressure Testable | ✓ | ✓ | SS17-4, SS316 | 1/4" | 103976 |
| | ✓ | ✓ | Inconel 625, Hastelloy C-276 | | 100075 |
| Cablehead II | | ✓ | SS17-4, SS316 | 1/8" | 102664 |
| | | ✓ | | 1/4" | 101905 |
| | | ✓ | Inconel 625, Hastelloy C-276 | 1/8" | 102665 |
| | | ✓ | | 1/4" | 101915 |
| Economy | | | SS17-4, SS316 | 1/4" | 100076 |

| 0.75 OD Cablehead Pressure Testable Specifications | | |
|--|------------|-----------|
| Maximum External Pressure - Sweet | 6,000 psi | 300 bar |
| Maximum External Pressure - Sour | 20,000 psi | 1,500 bar |