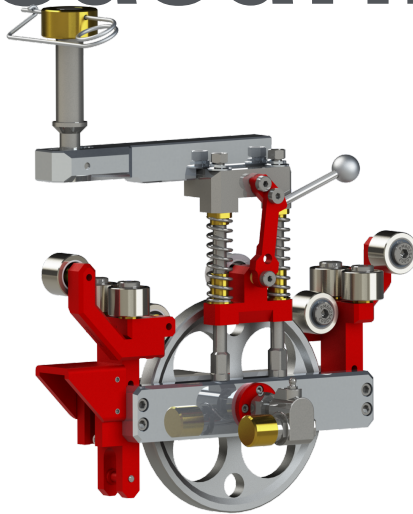


Braided

Line Measuring Head



Application

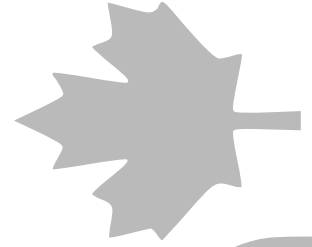
DataCan's Braided Line Measuring Head is a compact and durable device used for measuring wireline depth and speed. The measuring head mounts to the overhead spooling arm of a wireline unit. The cased hole version can be run with lines from 3/16" to 3/8" diameter and the open hole version can be run with lines from 3/8" to 1/2". The unit features a hardened steel 2 ft or 0.5m measuring wheel, a digital encoder, and an output for a mechanical odometer. The measuring head connects to DataCan's Depth Tension Display (DTD) or Linewise acquisition system, with custom cables available to connect to other compatible systems that use a similar encoder. An optional bracket can be installed on the measuring head to mount DataCan's Inline Tension Device.

Benefits

The braided line measuring head's simple, side loading, lightweight design makes for effortless installation and maintenance. The straight-thru design eliminates the need for line size calibration or coefficients and reduces wireline bending, fatigue, and wear.

Features

- Compact, Lightweight Device
- Mounts to Overhead Spooling Arm
- Measures Wireline Sizes from 3/16" to 1/2"
- Mechanical Odometer and Digital Encoder Outputs
- Connects to DataCan's DTD or Linewise
- Custom Cables Available for Other Acquisition Systems
- Straight-thru Design Eliminates Need for Line Size Calibration or Coefficients
- Available with Metric (0.5 m) or Imperial (2 ft) Wheel
- Quick and Easy Side Loading



datacan

Braided Line Measuring Head

Well Type	Tension Device Bracket	Measurement	Part No.
Cased Hole	✓	Metric	AM601UU0008
		Imperial	AM601UU0006
	✓	Metric	AM601UU0001
		Imperial	AM601UU0003
Open Hole	✓	Metric	AM601UU0010
		Imperial	AM601UU0011
	✓	Metric	AM601UU0002
		Imperial	AM601UU0009

Accessories

Accessory Type	Part No.
Open Hole Tension Device	AM604UU0004
Cased Hole Tension Device	AM604UU0001
Depth Tension Display (DTD)	109987
Linewise Acquisition System	AE304UU0002
Encoder Cable (Various Lengths)	AE304UU0016
Veederroot Odometer	AM603UU0017
Veederroot Drive Cable (Various Lengths)	AM600UU0004
Braided Line Counter Cradle	AM603UU0007

Spare Parts

Description	Part No.
Guide Roller Bearing	PM602UU0008
Measuring Wheel Bearing	PM602UU0011
Pressure Roller	PM601MM0009
Guide Roller	PM602MM0001
Measuring Wheel (Metric)	AM601UU0004
Measuring Wheel (Imperial)	AM601UU0005
Digital Encoder	PM603UU0067
Odometer Right-Angle Drive (Imperial)	PM603UU0073
Odometer Right-Angle Drive (Metric)	PM603UU0071

Specifications

	Cased Hole	Open Hole
Line Size	3/16 in to 3/8 in	3/8 in to 1/2 in
Length	16 in (40.6 cm)	
Width	6.25 in (15.9 cm)	
Height	12.25 in (31.1 cm)	
Weight	18 lbs (8.2kg)	
Accuracy	±2 m per 1000 m (±6.5 ft per 3280 ft)	
Encoder Input Voltage	5-26V	