

1.25" Quartz 2.1

Application

The 1.25" Quartz 2.1 has the largest internal diameter barrel volume available, which allows for a larger battery to energize the gauge for extra-long term tests. The Quartz 2.1 Gauge was specifically designed for long term gauge hanger applications in extreme environments. 120 days of downhole quartz pressure data in 160°C gas wells.

*Make sure to use the battery calculator in the DataCan download software to determine maximum job length for specific applications.

Benefits

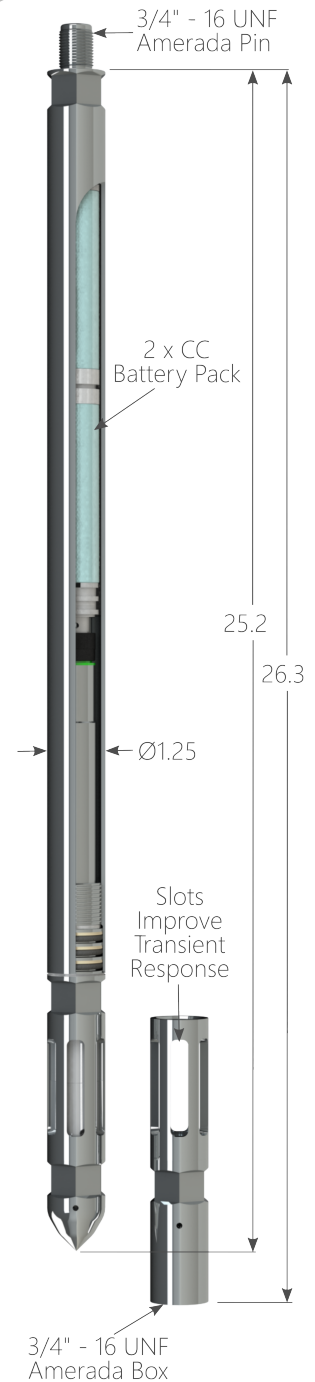
The extended battery pack and triple o-ring sealing solution on the Quartz 2.1 were specifically designed to capture data in long term high-temperature oil and gas wells. The Quartz 2.1 is our premier extended duration quartz gauge and is a modified version of our Quartz II gauge.

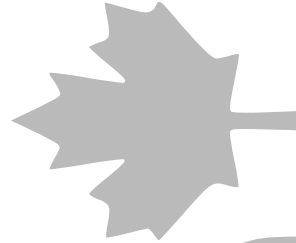
Features

- Designed For Extra Long Term Tests
- One Leak Path
- Triple O-Ring
- 200°C Option
- 2 Million Sample Capacity
- Inconel 718 or MP35N – NACE MR0175
- Fast Response
- Optional 4x Redundant Memory Mode (will reduce sample capacity)

1.25" Quartz 2.1 - Inconel 718

Pressure	Temperature	Part No.
10,000 psi	150°C	113967
16,000 psi	150°C	113968
16,000 psi	177°C	113969
16,000 psi	200°C	113970
20,000 psi	177°C	113971
20,000 psi	200°C	113972





DataCan

Accessories

Accessory Type	Part No.
Welded Bullnose Stainless Steel	102321
Welded Crossover 0.75-16 Stainless Steel	102323
Crossover 0.25 NPT Inconel 718	100130
Crossover 0.25 NPT Stainless Steel	109844
Battery Barrel 2 X 'CC' Inconel 718	104145
Battery Barrel 3 X 'CC' Inconel 718	101689
USB Download Cable	100682
Pelican Case Assembly	101686
Redress Kit Viton 90	101693
Redress Kit Aflas	101694
Redress Kit Chemraz 510	101685
Battery Tester	110944

Compatible Batteries

Size	Max Temp	Part No.
2 x CC	150°C	102780
	165°C	102927
	180°C	102928
	200°C	102929
3 x CC	150°C	102381
	165°C	102937
	180°C	102938
	200°C	102939

Specifications

	Pressure	Temperature
Accuracy Up To	0.02 % F.S.	0.2°C
Resolution	0.00006% F.S.	0.005°C
Drift	≤ 2 psi/year	< 0.1°C/year
Capacity	2 Million Samples	
Communication Method	USB	