

DHSHIT

2.50" OD Valve

Application

Instant close, multi-cycle. Downhole shut-in tool.

The process of shutting in a well downhole eliminates wellbore storage effects. Your production tubing needs to be pressurized before the buildup can be recorded. Shut-in downhole, complete your test faster and record better data.

Benefits

DataCan's downhole shut-in tool allows for a quicker well build-up and better pressure data quality. This saves operators money on downtime and gives reservoir engineers better data for their calculations.

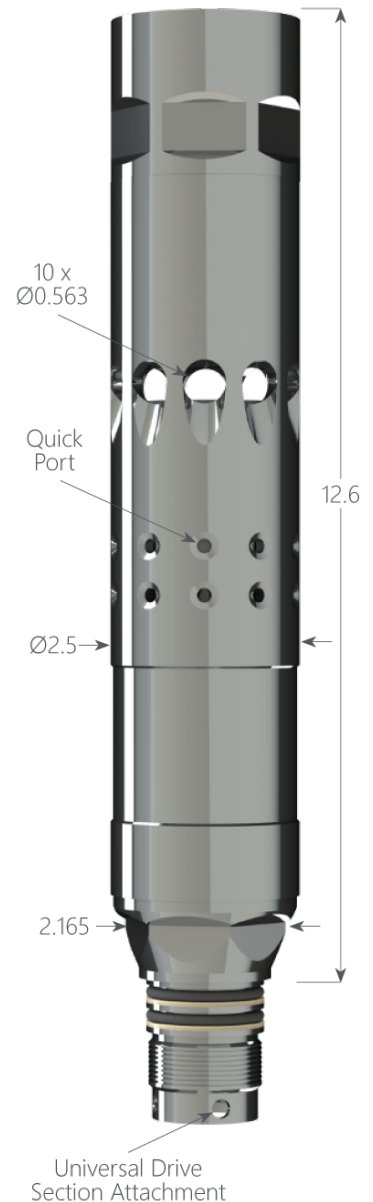
DataCan's 3.50" Valve is 2.50" in diameter with a 2.50 square inch flow area and can be used in 3-1/2" or larger tubing. DataCan's patented instant close valve design has multiple cycle capability and can operate at temperatures up to 150°C. The 3.50" Valve is very durable and can withstand the most physical of downhole conditions.

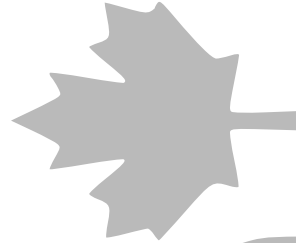
Features

- Instant Close Time
- Multiple Cycle Capability
- Metal to Metal Seals
- Eliminates Wellbore Storage Effect
- Modular Design

2.5" Quick Shut In Tool Production Valve

Assembly Type	Material	Part No.
Sour Version	Inconel 718	104964





datacan

Accessories

Accessory Type	Part No.
Pelican Case Assembly	100193
Redress Kit Viton 90	100223
Redress Kit Aflas 7182B	100224
Redress Kit Chemraz 510	100225
Battery Tester	100876
Wrench, Open Ended, Service, Thin, 1-9/16"	100880
Wrench, Open Ended, Service, Thin, 2-1/4"	102403

Specifications

Closing Time	Instantaneous
Valve Flow Area	2.5 in ² (16.1 cm ²)
Lock Mandrel Flow Area	2.40 in ² (15.5 cm ²)
Max External Pressure	16,000 psi (1,100 bar)
Max Differential Pressure	10,000 psi (700 bar)
Max Temperature	350°F (177°C)
Power Source	3 "D" Cell Battery Pack (11.0 V, 10.0 Ahr)
Communication Method	USB