

### 2" Geothermal Pressure Gauge with External Temp

#### Application

The 2" Geothermal tool is very similar to the 1.75" Geothermal tool, but with thicker external walls, can reach pressures up to 30,000 psi. It comes equipped with an external fast response temperature sensor.

#### Features

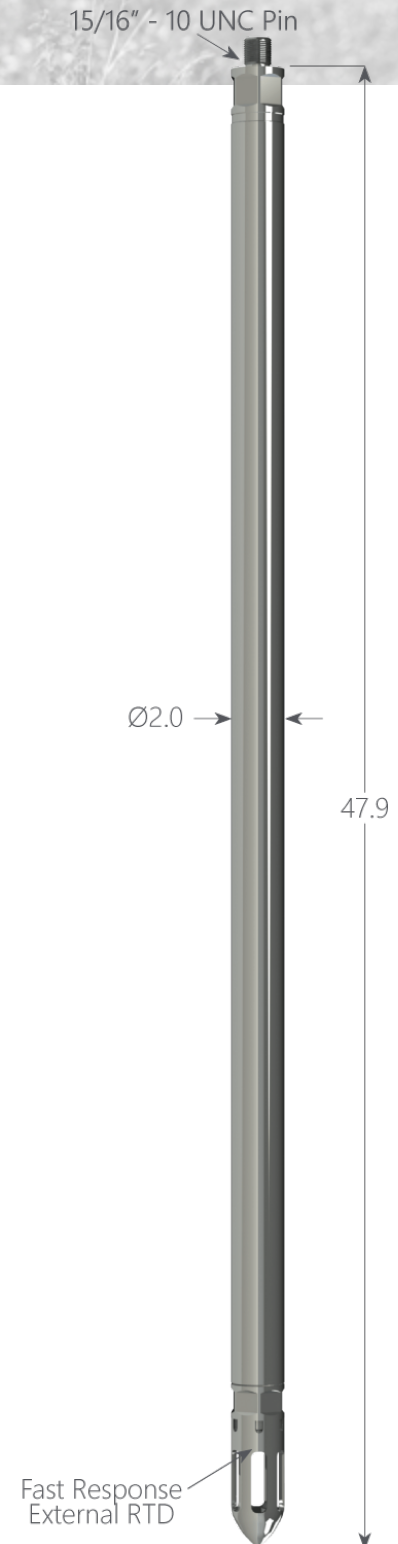
- 8 hours @ 300°C (600°F)
- External Fast Response Temperature Probe
- Casing Collar Locator Option
- 0.1s Fast Sample Rate Option
- Pressure Trigger Option
- 1 Million Sample Capacity
- Inconel 718 - NACE MR0175

#### Benefits

DataCan piezo gauges have excellent efficiency, meaning the battery life of the tool is just as good, if not better than competitors. DataCan piezo gauges have shock mounted electronics which means they have high reliability. DataCan program and download software is industry leading with the fastest graphing package available that is both customizable and easy to use.

2.0" Geothermal PT - Inconel	
Pressure	Part No.
25,000 psi	103499
30,000 psi	103500

Accessories	
Accessory Type	Part No.
Bullnose SS316	103501
Crossover 15/16-10 UNC (5/8" Sucker Rod) SS316	103502
Casing Collar Locator	101675
Pelican Case Assembly	100526
Redress Kit Viton 90	101672
Redress Kit Aflas 7182B	101673
Redress Kit Chemraz 510	101674



## 2" Geothermal Pressure Gauge with External Temp

Specifications		
	Pressure	Temperature
Accuracy	0.022 % F.S.	0.25°C
Resolution	0.0003% F.S.	0.005°C
Drift	< 3 psi/year	< 0.1°C/year
Capacity	1 Million Samples	
Communication Method	USB	