

# 1.75" Geothermal P/T/F/CCL/GR

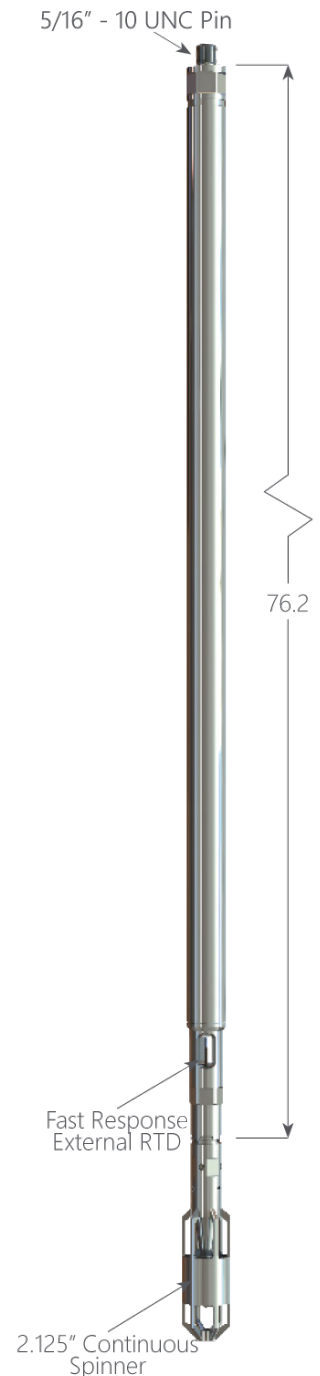
## Application

The 1.75" Geothermal Pressure Temperature Flow Gauge with CCL and Gamma Ray has an external fast response temperature sensor that is exposed to the wellbore fluid and an internal pressure piezo sensor that senses wellbore pressure through a capillary tube. The casing collar locator (CCL) uses high strength, long life magnets that provide accurate depth correlation when run downhole. The Gamma Ray section of the tool employs a sensitive sodium iodide scintillation crystal and photomultiplier tube to detect naturally occurring and artificially induced gamma ray radiation. This is used for correlation to the surrounding lithology of the well. The 1.75" Geothermal PTS-GR/CCL tool is compatible with the 5" or 7" Fullbore Spinner as well as the 1.375", 1.688" and 2.125" Continuous Spinner.

The temperature sensitive downhole electronics are thermally insulated inside a vacuum flask with a heat sink to reduce the rate of temperature rise within the flask. This allows the 1.75" Geothermal PTS-GR/CCL tool to operate in extreme temperature applications; up to 300°C for 8 hours.

## Features

- 8 hours @ 300°C (600°F)
- Pressure
- Temperature (External RTD)
- Flow
- Casing Collar Locator
- Gamma-Ray
- 0.1s Fast Sample Rate Option
- 1.6 Million Sample Capacity
- Inconel 718 – NACE MR0175



## 1.75" Geothermal PTS-GR,CCL - Inconel 718

Pressure	Part No.
3,000 psi	108301
6,000 psi	108302
10,000 psi	108303
15,000 psi	108304
20,000 psi	108305

## Compatible Spinners

Spinner Type	Size	Version	Part No.
Fullbore Spinner	5"	Standard Service	AM005WA0002
		H2S Service	AM005WB0002
	7"	Standard Service	AM005WA0008
		H2S Service	AM005WB0008
Continuous Spinner	1.375"	Standard Service	AM005WA0003
		H2S Service	AM005WB0003
	1.688"	Standard Service	AM005WA0004
		H2S Service	AM005WB0004
	2.125"	Standard Service	AM005WA0007
		H2S Service	AM005WB0007

## Accessories

Accessory Type	Part No.
Pelican Case Assembly	108306
Redress Kit Aflas 7182B	107777
Redress Kit Chemraz 510	107778
Battery Tester	100876

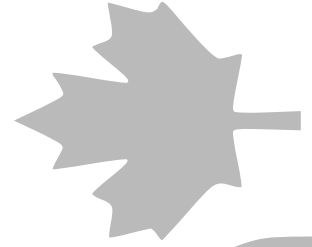
## Compatible Batteries

Size	Max Temp	Part No.
2 x AA	150°C	100411
	165°C	100806
	180°C	100807
	200°C	100412



## Specifications

	Pressure	Temperature
Accuracy	0.03 % F.S.	0.25°C
Resolution	0.0003% F.S.	0.005°C
Drift	< 3 psi/year	< 0.1°C/year
Gamma Ray		
Detector Type	Scintillation	
Casing Collar Locator		
Detector Type	Electromagnetic	
Flowmeter		
Minimum Rotation	30 rpm	
Maximum Rotation	18,000 rpm	
Resolution	0.125 rps	
Memory		
Capacity	1.6 Million Samples	
Communication Method	USB	



datacan