

# 1.687W Roller Centralizer

## Application

The Roller Centralizer is a mechanical device that centralizes a tool string while it is run in or out of the wellbore. Hardened steel rollers on the contact points prevent wear on the arms as they expand and contract to fit the wellbore.

The Roller Centralizer is positioned anywhere within the tool string. Often, two Roller Centralizers are used in a string, one at the top and one near the bottom, to further increase the string stability.

## Benefits

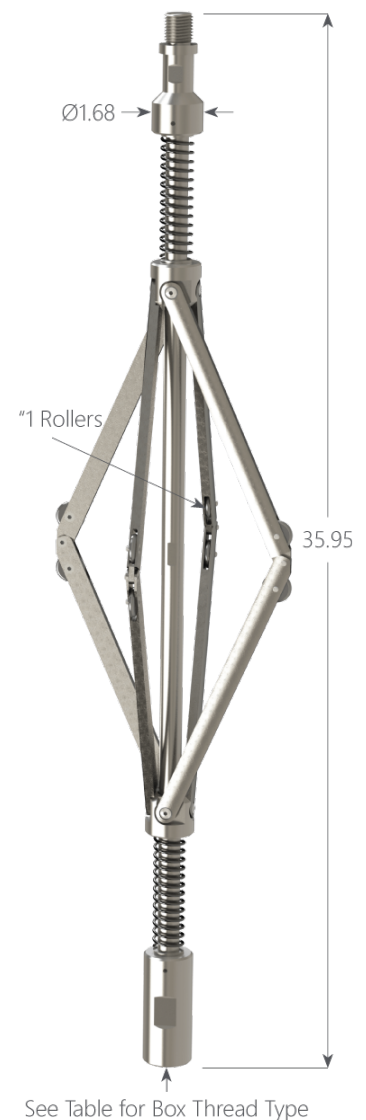
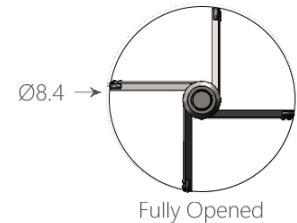
The Roller Centralizer has low friction, allowing it to move easily in and out of the wellbore. The wheels on the Roller Centralizer are easily replaceable and relatively inexpensive.

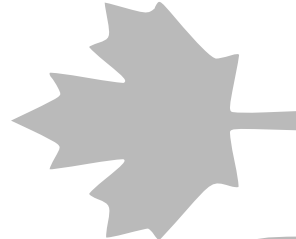
## Features

- Use to Centralize Memory Tools in Tubing or Casing
- 4 Arm Design Evenly Distributes Loading
- NACE Compliant Construction for Sour Service
- Available with Either Amerada or Sucker Rod Threads
- Bidirectional Breakaway

## 1.68" Roller Centralizer

| Assembly Type                 | Thread Type        | Part No.         |
|-------------------------------|--------------------|------------------|
| Sweet Version<br>(SS17-4)     | Amerada<br>5/8" SR | 104205<br>104078 |
| Sour Version<br>(Inconel 718) | Amerada<br>5/8" SR | 103515<br>104206 |





DataCan

## Specifications

|                            |                |
|----------------------------|----------------|
| OD                         | 1.687" Max     |
| Overall Length             | 36"            |
| Make Up Length             | 35"            |
| Centralizing Range         | 1.7" to 8.4"   |
| Break Direction            | Up or Down     |
| Centralizing Load Capacity | 35 lbs         |
| Tensile Breaking Strength  | 30,000 lbs Min |
| Working Load               | 10,000 lbs     |

## Replacement Parts

| Part Type   | Part No. |
|---|----------|
| Centralizer Upper Arm - Stainless Steel               | 104460   |
| Centralizer Upper Arm - CRA                           | 103521   |
| Centralizer Lower Arm - Stainless Steel               | 104461   |
| Centralizer Lower Arm - CRA                           | 103522   |
| Arm Retention Screw - 1/4"-20 Button Head - Stainless | 104090   |
| Set Screw - #10-32 x 0.375" - Stainless               | 104143   |
| Roller Screw - #10-32 x 0.44" Countersink             | 104088   |
| 1.0" Roller   | 104085   |
| Roller Bushing - Brass                                | 104089   |
| Roller Bushing - Hardened                             | 104215   |
| Centralizer Spring - Standard                         | 104081   |
| Centralizer Spring - Reduced Rate                     | 104638   |