

1.0" Gaslift Memory Gauge - Annulus

Application

The 1.0" side pocket welded piezo memory gauge is shaped like a standard gas lift valve, which allows the customer to deploy the memory gauge the same way you would run a gas lift valve in a side pocket mandrel. This particular gauge allows customers to measure the annulus pressure of the well. AA battery packs are used in the 1.0" OD side pocket tools, which limits the duration the tool can be "on" downhole, typically no more than 6 months.

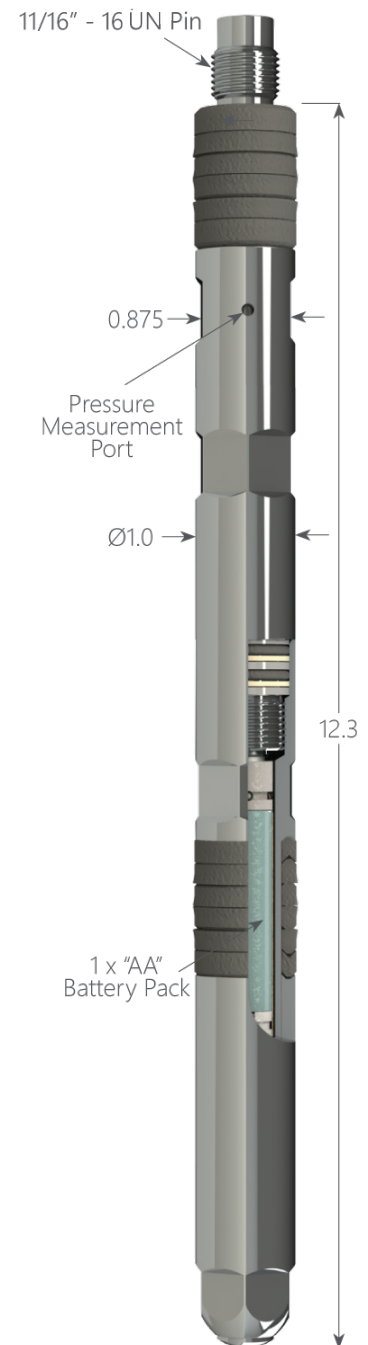
Benefits

The biggest benefit of the 1.0" side pocket piezo gauge is a customer can deploy a gauge without interfering with the wellbore. DataCan piezo gauges also have excellent efficiency, meaning the battery life of the tool is just as good, if not better than competitors. DataCan piezo gauges have shock mounted electronics which means they have high reliability.

DataCan's download software, complete with battery calculator, allows you to program your tool, graph your data, and create a report for your customer.

Features

- Inconel 718
- 10 Million Sample Capacity
- High Temperature Reliability
- 10 Samples/Second Standard
- Up to 470 Hz Sample Rate Option
- Pressure Trigger Option
- Welded Pressure Sensor



1.0" Side Pocket Welded Piezo - Annulus - Inconel 718

Pressure	Temperature	Part No.
1,500 psi	120°C	105012
3,000 psi		105013
6,000 psi	150°C	105014
10,000 psi		105015
15,000 psi		105016
10,000 psi	177°C	105017
15,000 psi		105018

Accessories

Accessory Type	Part No.
Pelican Case Assembly	100783
Top Latch SS17-4	100149
Top Latch Inconel 718	100782
Bullnose SS 316	105020
Battery Barrel 1 x "AA" SS17-4	105019
Upper Crossover Inconel 718	105021
Packing Sweet/Sour	100046
Redress Kit Viton 90	104411
Redress Kit Aflas 7182B	104409
Redress Kit Chemraz 510	104410
Battery Tester	100876

Compatible Batteries

Size	Max Temp	Part No.
AA	150°C	100408
	165°C	100804
	180°C	100805
	200°C	100409
2 x AA	150°C	100411
	165°C	100806
	180°C	100807
	200°C	100412

Specifications

	Pressure	Temperature
Accuracy Up To	0.03 % F.S.	0.25°C
Resolution	0.0003% F.S.	0.005°C
Drift	< 3 psi/year	< 0.1°C/year
Capacity	1 Million Samples	
Communication Method	USB	

