

0.75" Quartz

Application

The slimhole 0.75" O.D. Quartz Gauge uses a AA battery as its power source. Limited space is available for gauge carrier, coiled tubing, and DST operations and the AA battery is the smallest form factor available for powering a quartz tool. Hence, a 0.75" OD is currently the smallest a quartz memory tool can be.

*Make sure to use the battery calculator in the DataCan download software to determine maximum job length for specific applications.

Benefits

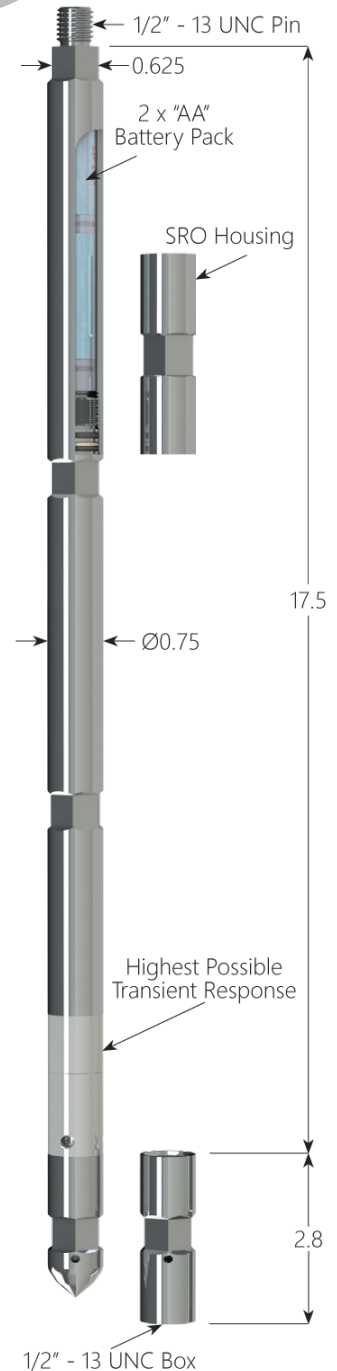
Quartz gauges provide operators with the highest data stability and resolution. DataCan recommends quartz gauges in wells with bottom hole temperatures above 135°C.

Features

- 0.00006% Full-Scale Resolution
- 200°C
- 2 Million Sample Capacity
- Inconel 718 and MP35N – NACE MR0175
- Electron Beam Welded
- Fast Temperature Response
- Short Tool – Only 18" Long

0.75" Quartz Gauge - Inconel 718

Pressure	Temperature	Part No.
10,000 psi	150°C	104605
10,000 psi	177°C	105078
16,000 psi	150°C	105036
16,000 psi	177°C	105037
20,000 psi	177°C </td <td>105038</td>	105038
20,000 psi	200°C	105039
25,000 psi	177°C	105040
25,000 psi	200°C	105041



Accessories

Accessory Type	Part No.
Bullnose SS316	100402
Crossover 0.5-13 UNC SS316	100403
Crossover 0.25 NPT SS316	100404
Battery Barrel 2 X "AA" Inconel 718	100755
Pelican Case Assembly	100444
USB Download Cable	100682
Redress Kit Viton 90	100445
Redress Kit Aflas 7182B	100446
Redress Kit Chemraz 510	100447
Replaceable Memory Module 125°C	105107
Replaceable Memory Module 177°C	104599
Replaceable Memory Module 200°C	105108
Battery Tester	100876

Compatible Batteries

Size	Max Temp	Part No.
2 x AA	150°C	100411
	165°C	100806
	180°C	100807
	200°C	100412

Specifications

	Pressure	Temperature
Accuracy	± 0.02 % F.S.	± 0.2°C
Resolution	0.00006% F.S.	0.005°C
Drift	≤ 2 psi/year	< 0.1°C/year
Capacity	2 Million Samples	
Communication Method	USB	

