

# 0.75" Quartz

## Application

The shortest slimhole 0.75" diameter gauge available. Quartz Gauge uses a AA battery as its power source. Limited space is available for gauge carrier, coiled tubing, and DST operations and the AA battery is the smallest form factor available for powering a quartz tool. Hence, a 0.75" OD is currently the smallest diameter quartz memory tool.

\*Make sure to use the battery calculator in the DataCan download software to determine maximum job length for specific applications.

## Benefits

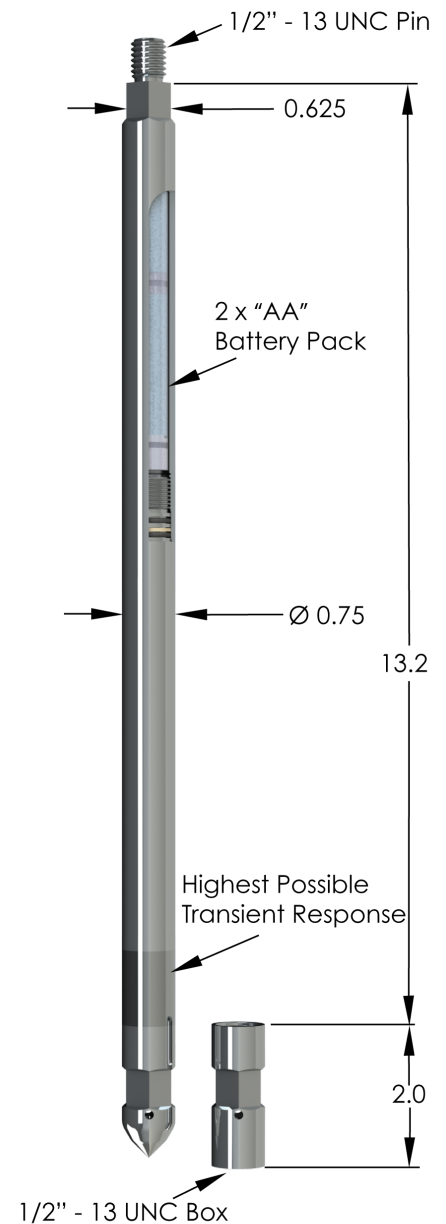
The world's smallest quartz gauge provides operators with the highest data stability and resolution. DataCan recommends quartz gauges in all wells with bottom hole temperatures above 135°C.

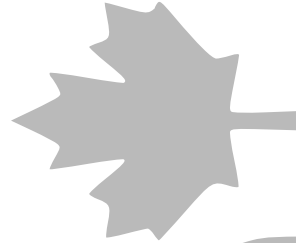
## Features

- 15" Long
- 0.00006% Full-Scale Resolution
- 200°C
- 8 Million Sample Capacity
- Inconel 718 and MP35N – NACE MR0175
- Electron Beam Welded
- Fast Temperature Response
- Easy to Use Software

## 0.75" DCQ - Inconel 718

Pressure	Temperature	Part No.
10,000 psi	150°C	110735
16,000 psi		110736
20,000 psi		110737
10,000 psi	177°C	110738
16,000 psi		110739
20,000 psi		110740
10,000 psi	200°C	110741
16,000 psi		110742
20,000 psi		110743





datacan

## Accessories

Accessory Type	Part No.
Bullnose SS316	110755
Crossover 0.5-13 UNC SS316	110756
Crossover 0.25 NPT SS316	110757
Battery Barrel 2 X "AA" Inconel 718	100755
Pelican Case Assembly	100444
USB Download Cable	100682
Redress Kit Viton 90	100445
Redress Kit Aflas 7182B	100446
Redress Kit Chemraz 510	100447
Battery Tester	100876

## Compatible Batteries

	Max Temp	Part No.
2 x AA	150°C	100411
	165°C	100806
	180°C	100807
	200°C	100412

## Specifications

	Pressure	Temperature
Accuracy Up To	0.02 % F.S.	0.2°C
Resolution	0.00006% F.S.	0.005°C
Drift	≤ 2 psi/year	< 0.1°C/year
Capacity	8 Million Samples	
Communication Method	USB	