

0.75" Low Temp Piezo Pressure Gauge

Application

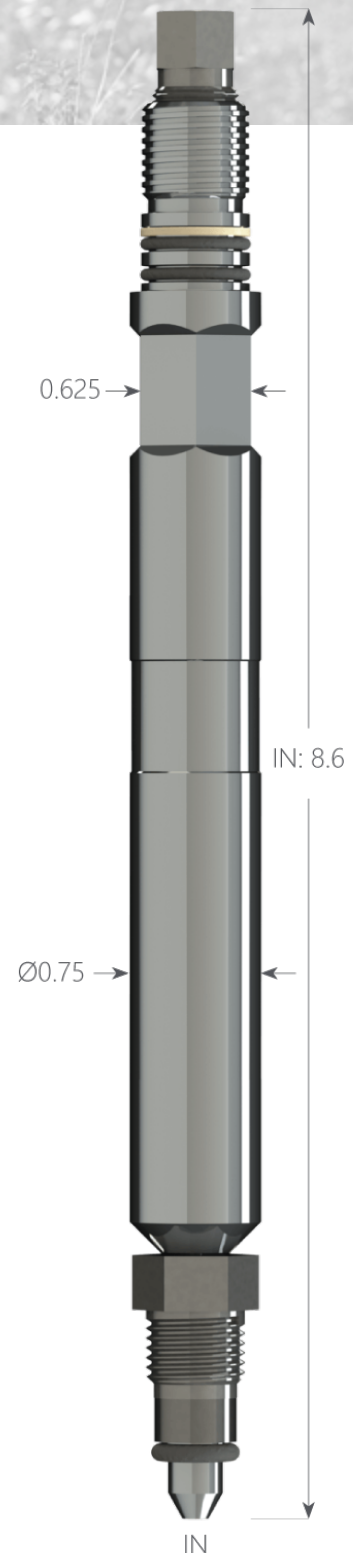
DataCan's 0.75" Low Temp Piezo Stainless Steel Pressure Gauge delivers pressure, temperature and vibration (optional) readings in sweet applications. It is used to provide continuous, real time data about downhole conditions, helping increase productivity throughout the life of the well or reservoir. The gauge operates at pressures up to 15,000 psi and temperatures up to 85°C. The gauge is characterized by its electron beam welded sensor, feedthru and housing bodies. It has hermetically sealed electronics and a dual protection metal to metal seal design that prevents leaks from entering, all of which makes it very reliable.

Features

- Value Priced
- Fully Welded Construction
- Hermetically Sealed
- Dual Protection Metal to Metal Seal Design
- Dual Axis Vibration Sensor Option - Capable Of Monitoring Pump Wear

Benefits

The 0.75" Low Temp Piezo Stainless Steel Pressure Gauge is quick and easy to install and produces high quality well or reservoir data in real time. Its fully welded construction, dual protection metal to metal seal design, and hermetically sealed electronics, make it a very reliable gauge. It is also a more economical option for low temp applications, as it only goes up to 85°C.



0.75" Low Temp Piezo Pressure Gauge

Low Temp Piezo Permanent				
Pressure	Temperature	Version	Part No.	
			1/4" Wire	1/8" Wire
750 psi	85°C	Stainless Steel	102575	102599
		Inconel	102470	102471
1,500 psi		Stainless Steel	102576	102600
		Inconel	102472	102477
3,000 psi		Stainless Steel	102577	102601
		Inconel	102473	102478
6,000 psi		Stainless Steel	102578	102602
		Inconel	102474	102479
10,000 psi		Stainless Steel	102579	102603
		Inconel	102475	102480
15,000 psi		Stainless Steel	102580	102604
		Inconel	102476	102481

Low Temp Piezo Permanent with Vibration				
Pressure	Temperature	Version	Part No.	
			1/4" Wire	1/8" Wire
750 psi	85°C	Stainless Steel	102564	102568
		Inconel	101870	101878
1,500 psi		Stainless Steel	102565	102569
		Inconel	101893	101898
3,000 psi		Stainless Steel	102300	102570
		Inconel	101894	101899
6,000 psi		Stainless Steel	102299	102571
		Inconel	101895	101900
10,000 psi		Stainless Steel	102283	102572
		Inconel	101896	101901
15,000 psi		Stainless Steel	102566	102573
		Inconel	101897	101902

Specifications		
	Pressure	Temperature
Accuracy Up To	0.022% F.S.	0.25°C
Resolution	0.0003% F.S.	0.005°C
Drift	< 3 psi / year	< 0.1°C / year
Vibration	± 50 g	

