

Welded Gauge Carrier

APPLICATION

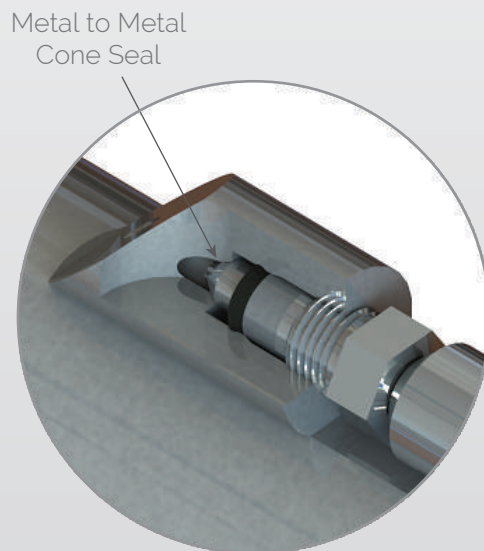
DataCan's Welded Gauge Carriers are generally used where there is a low pressure differential, or when trying to keep costs down as much as possible. The gauge attaches directly to a gauge port with a high pressure metal to metal seal that prevents leaks from entering. The Welded Gauge Carrier is pressure testable and can be configured to measure both internal (tubing) and external (annulus) pressures.

FEATURES

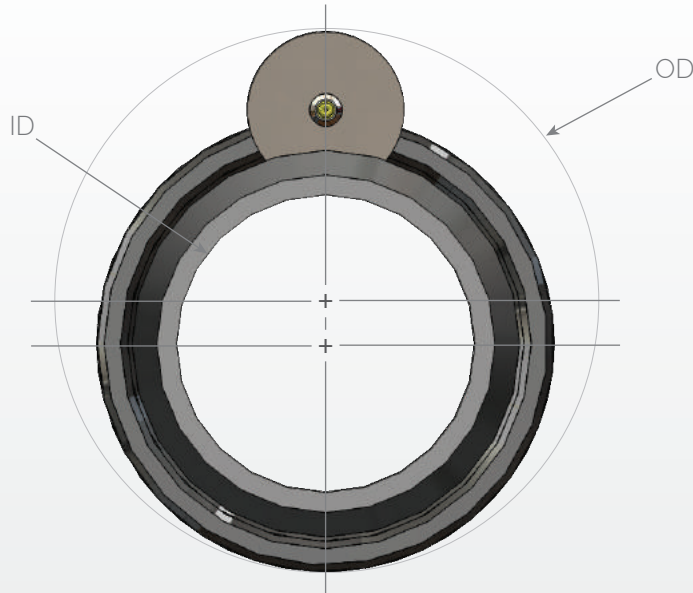
- Cost Effective Alternative
- Custom Configurations
- Metal to Metal Seals
- Pressure Testable Optional

BENEFITS

DataCan's Welded Gauge Carrier is a cost effective alternative to the Solid Gauge Carrier.



Welded Gauge Carrier



Welded Carrier Assembly - J55

Tubing	OD (inches)	ID (mm)	Drift ID	Offset	Connection	Sensing	Part No.
2.375 60.3	3.125 79.4	1.995 50.6	1.901 48.3	0.375 9.5			
					EUE Modified	Tubing	100292
						Annulus	100293
						Tubing	100294
2.875 73.0	3.625 92.1	2.441 62.0	2.347 59.6	0.375 9.5	EUE	Annulus	100320
					EUE Modified	Tubing	100321
						Annulus	100322
						Tubing	100323
3.5 88.9	4.25 107.9	2.992 78.0	2.867 72.8	0.375 9.5	EUE	Annulus	100349
					EUE Modified	Tubing	100350
						Annulus	100351
						Tubing	100352
4.5 114.3	5.25 133.3	3.958 100.5	3.833 97.4	0.375 9.5	EUE	Annulus	100378
					EUE Modified	Tubing	100379
						Annulus	100380
						Tubing	100381