



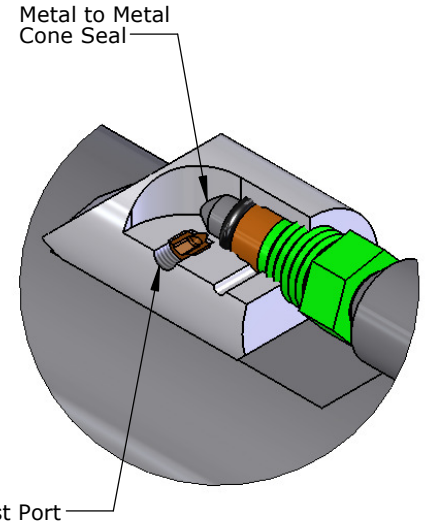
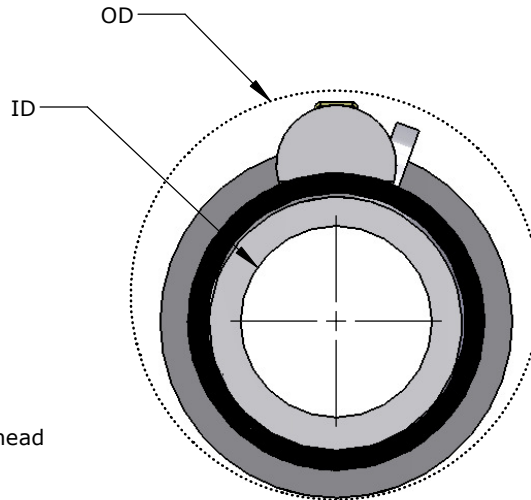


Features

-  Cost Effective Alternative
-  Custom Configurations
-  Metal to Metal Seals
-  Pressure Testable



Welded Carrier Assembly - J55							
Tubing	OD	ID	Drift ID	Offset	Connection	Sensing	Part No.
(inches)	(mm)	(mm)	(mm)	(mm)			
2.375 <i>60.3</i>	3.125 <i>79.4</i>	1.995 <i>50.6</i>	1.901 <i>48.3</i>	0.375 <i>9.5</i>	EUE	Annulus	100291
						Tubing	100292
					EUE Modified	Annulus	100293
						Tubing	100294
2.875 <i>73.0</i>	3.625 <i>92.1</i>	2.441 <i>62.0</i>	2.347 <i>59.6</i>	0.375 <i>9.5</i>	EUE	Annulus	100320
						Tubing	100321
					EUE Modified	Annulus	100322
						Tubing	100323
3.5 <i>88.9</i>	4.25 <i>107.9</i>	2.992 <i>78.0</i>	2.867 <i>72.8</i>	0.375 <i>9.5</i>	EUE	Annulus	100349
						Tubing	100350
					EUE Modified	Annulus	100351
						Tubing	100352
4.5 <i>114.3</i>	5.25 <i>133.3</i>	3.958 <i>100.5</i>	3.833 <i>97.4</i>	0.375 <i>9.5</i>	EUE	Annulus	100378
						Tubing	100379
					EUE Modified	Annulus	100340
						Tubing	100341