




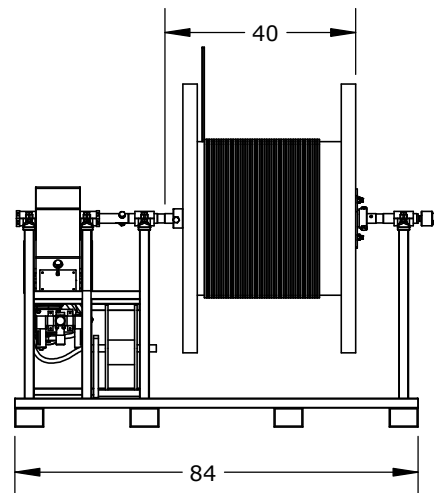
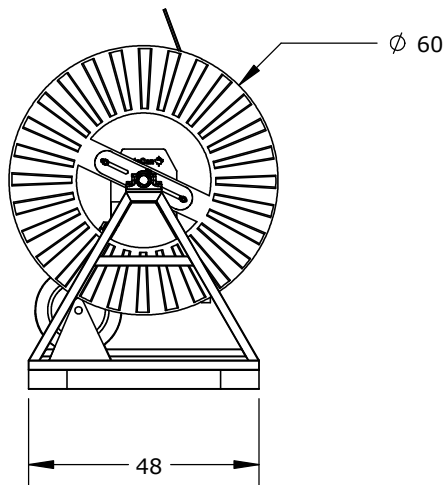
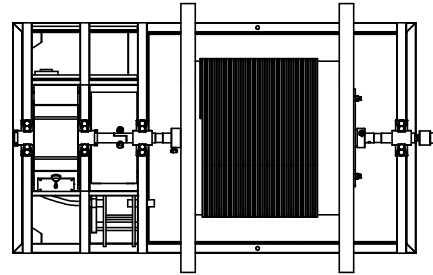
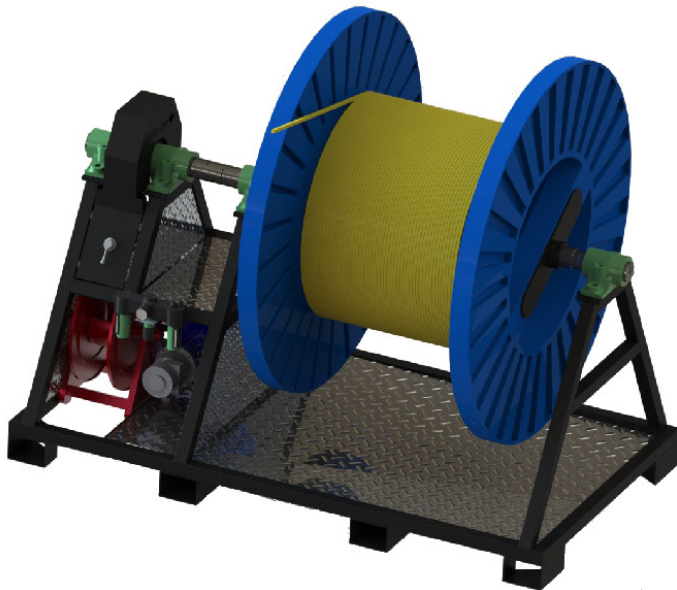


Features

-  Air or Hydraulically driven
-  Bi-Directional Drive with Free Spooling
-  Up to 60" Diameter Spool Capacity
-  Split Bearings and Shaft for Easy Spool Changes
-  Through Spool Communication via 2 Conductor Slip Rings



Spooling Unit	
Description	Part No.
60" Capacity Air Actuated Skid	102138
60" Capacity Hydraulically Actuated Skid	107286
Optional Equipment	
Metric Measuring Head	AM600UU0001
Imperial Measuring Head	AM600UU0002
Measuring Head Arm	107373
Installation Equipment	
Slickline Sheave (25 inch)	100691
Installation Tool Kit	104271
Wiper	102863