



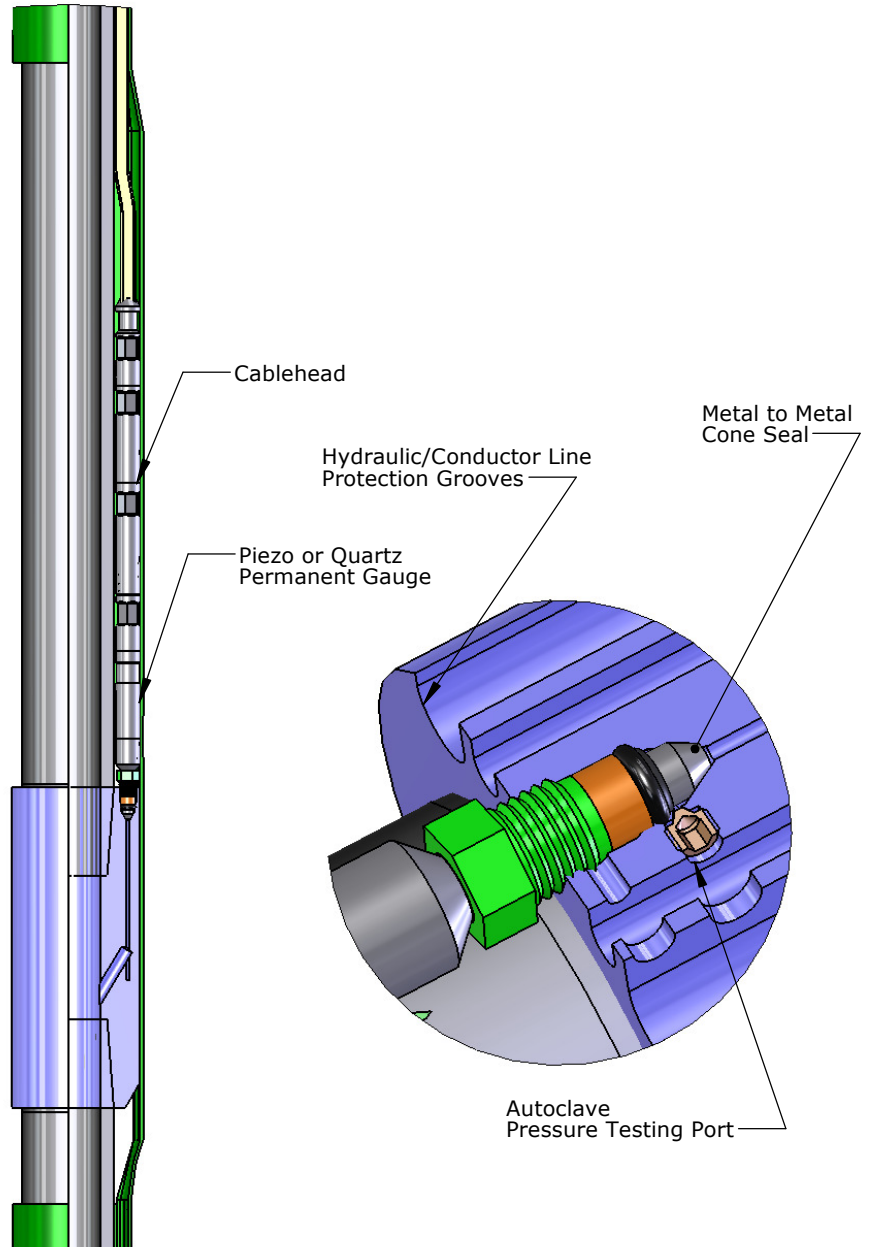
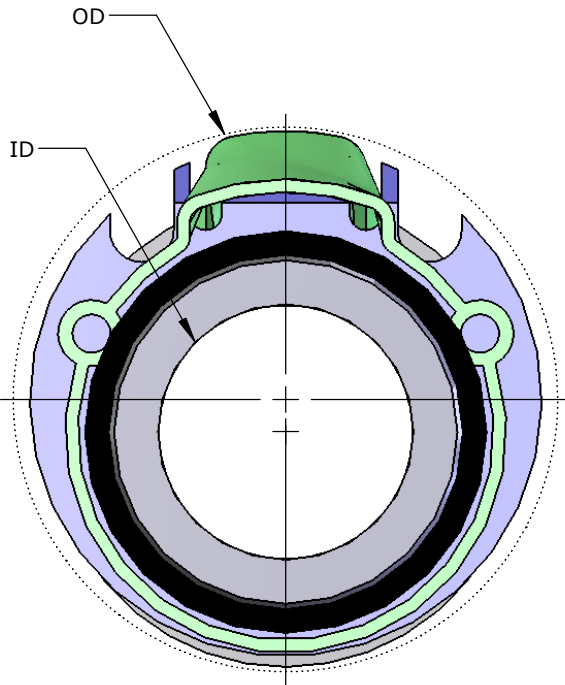


### Features

-  Non Welded Construction
-  Custom Configurations
-  Metal to Metal Seals
-  Pressure Testable





The Non-Welded Carrier Assembly Comes With:

- ★ Non-Welded Gauge Billet Carrier
- ★ Two 6 Foot Long Pup Joints
- ★ Coupling
- ★ Gauge Protector
- ★ Set Screw
- ★ Pressure Port Plug
- ★ Pressure Test Fitting with 1/16 NPTF

Non-Welded Carrier Assembly												
Tubing	OD	ID	Drift ID	Offset	Weight	Tensile	Collapse	Burst	Connection	Material	Part No.	
	(inches)	(mm)			(lb/ft)	(lb)	(psi)					
2.375 <b>60.3</b>	3.525 <b>89.5</b>	1.867 <b>47.4</b>	1.773 <b>45.0</b>	0.325 <b>8.3</b>	5.95	102,990	15,280	14,970	EUE	4140 L80	100287	
										Teflon ID	100288	
									EUE Modified	4140 L80	100289	
										Teflon ID	100290	
2.875 <b>73.0</b>	4.125 <b>104.7</b>	2.441 <b>62.0</b>	2.347 <b>59.6</b>	0.313 <b>8.0</b>	6.5	105,570	11,160	10,570	EUE	4140 L80	100316	
										Teflon ID	100317	
									EUE Modified	4140 L80	100318	
										Teflon ID	100319	
3.5 <b>88.9</b>	4.8125 <b>122.2</b>	2.992 <b>78.0</b>	2.867 <b>72.8</b>	0.281 <b>7.1</b>	9.3	159,090	10,530	10,160	EUE	4140 L80	100345	
										Teflon ID	100346	
									EUE Modified	4140 L80	100347	
										Teflon ID	100348	
4.5 <b>114.3</b>	5.762 <b>146.4</b>	3.958 <b>100.5</b>	3.833 <b>97.4</b>	0.281 <b>7.1</b>	12.75	208,730	7,500	8,430	EUE	4140 L80	100374	
										Teflon ID	100375	
									EUE Modified	4140 L80	100376	
										Teflon ID	100377	