

## Solid Gauge Carrier

### APPLICATION

DataCan's Solid Gauge Carrier is our most popular gauge carrier and is customizable to suit the user's needs. The gauge is attached directly to a gauge port with a high pressure, metal to metal seal that prevents leaks from entering. The Solid Gauge Carrier has no welds, is pressure testable and can be configured to measure both internal (tubing) and external (annulus) pressure.

### FEATURES

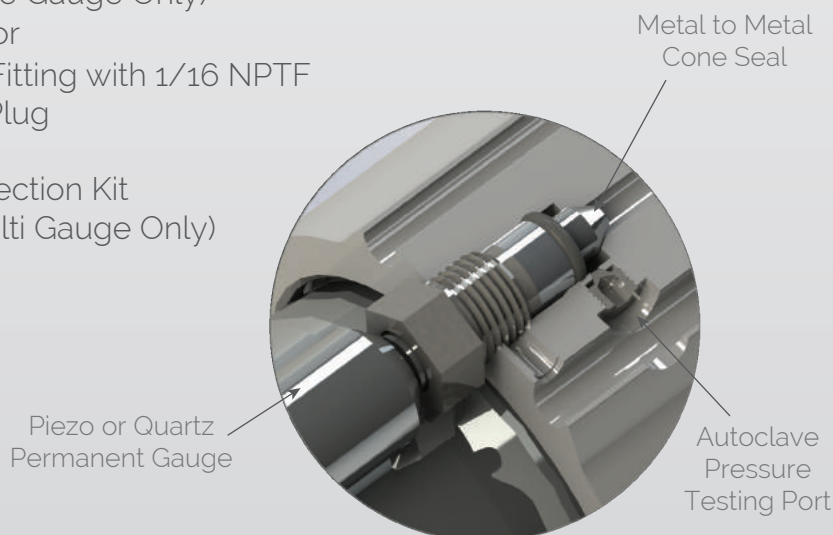
- Non Welded Construction
- Custom Configurations
- Metal to Metal Seals
- Pressure Testable

### BENEFITS

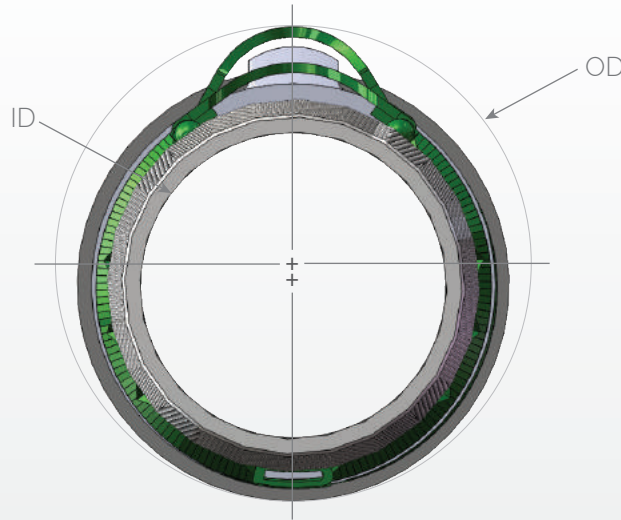
The solid, non-welded construction, of the Solid Gauge Carrier reduces possible leak paths while ensuring high burst and collapse strength.

### ASSEMBLY INCLUDES

- Solid Gauge Billet Carrier
- Two 6 Foot Long Pup Joints (Single Gauge Only)
- Coupling (Single Gauge Only)
- Gauge Protector
- Pressure Test Fitting with 1/16 NPTF
- Pressure Port Plug
- Set Screw
- Pressure Connection Kit (Slim Multi Gauge Only)



## Solid Gauge Carrier



### Solid Gauge Carrier Assembly - Single Gauge (All Ported)

Tubing	OD	ID	Drift ID	Offset	Weight	Tensile	Collapse	Burst	Connection	Material	Part No.
2.375 60.3	3.525 89.5	1.867 47.4	1.773 45.0	0.325 8.3	5.95	102,990	15,280	14,970	EUE	4140 L80	100287
										Teflon ID	100288
									EUE Modified	4140 L80	100289
										Teflon ID	100290
2.875 73.0	4.125 104.7	2.441 62.0	2.347 59.6	0.313 8.0	6.5	105,570	11,160	10,570	EUE	4140 L80	100316
										Teflon ID	100317
									EUE Modified	4140 L80	100318
										Teflon ID	100319
3.5 88.9	4.813 122.2	2.992 78.0	2.867 72.8	0.281 7.1	9.3	159,090	10,530	10,160	EUE	4140 L80	100345
										Teflon ID	100346
									EUE Modified	4140 L80	100347
										Teflon ID	100348
4.5 114.3	5.762 146.4	3.958 100.5	3.833 97.4	0.281 7.1	12.75	208,730	7,500	8,430	EUE	4140 L80	100374
										Teflon ID	100375
									EUE Modified	4140 L80	100376
										Teflon ID	100377

### Solid Gauge Carrier Assembly - Multi Gauge

Tubing	OD	ID	Drift ID	Offset	Weight	Tensile	Collapse	Burst	Connection	Material	Ported	Part No.	
												(inches)	(mm)
3.5 88.9	5.25 133.4	2.992 78.0	2.867 72.8	0.50 12.7	9.3	159,090	10,530	10,160	EUE	4140 L80	Yes	108925	108843
											No	108919	-
4.5 114.3	6.625 168.3	3.958 100.5	3.833 97.4	0.531 13.5	12.75	208,730	7,500	8,430	EUE	4140 L80	Yes	108924	108842
											No	108920	-