



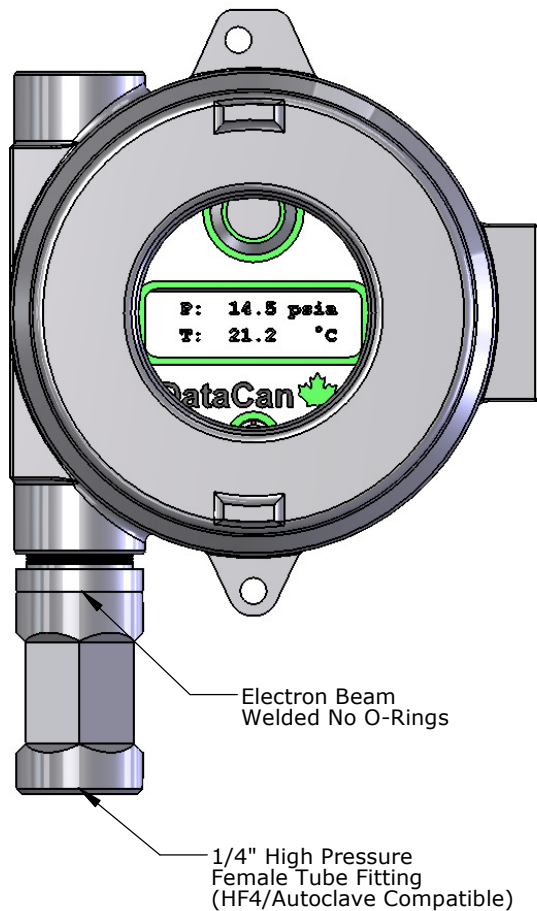


Features

-  Welded Sensor – No O-Rings
-  Extreme Service Reliability
-  1 Million Sample Capacity
-  Explosion Proof Enclosure



Wellhead Logger			
Pressure	Temperature Rating	Part No.	
		SS	Inconel
750 psi	Regular Version (-30 °C-80 °C)	104380*	104386*
1,500 psi		104381*	104387*
3,000 psi		104382*	104388*
5,000 psi		104383*	104389*
10,000 psi		104384*	104390*
15,000 psi		104385	104391
20,000 psi	Regular Version (0 °C-80 °C)	102745	102767
25,000 psi		102746	102768
30,000 psi		102747	102769
750 psi	Cold Version (-40 °C - 50 °C)	100825	100843
1,500 psi		100838	100844
3,000 psi		100839	100845
6,000 psi		100840	100846
10,000 psi		100841	100847
15,000 psi		100842	100848
20,000 psi		102724	102727
25,000 psi		102725	102728
30,000 psi		102726	102729

* 1/4" NPT Male Connection

Accessory Type	Part No.
Pelican Case Assembly	100853
USB Communication Cable	100682
Radio 100m	102044
USB Radio Receiver	101790
Adapter 1/2" NPT	101438
Adapter 3/4" NPT	100849
Adapter Autoclave	100850

Specifications		
	Pressure	Temperature
Accuracy Up To	0.022% F.S.	0.25 °C
Resolution	0.0003% F.S.	0.005 °C
Drift	< 3 psi / year	< 0.1 °C / year
Capacity	1 Million Samples	
Communication Method	USB	