

0.75" Quartz II Pressure Gauge

APPLICATION

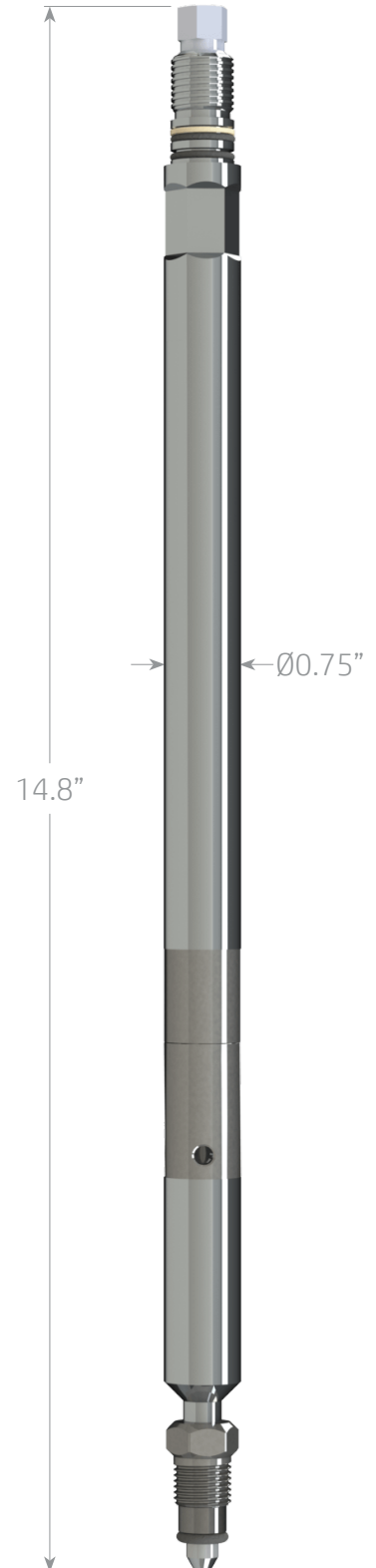
DataCan's 0.75" Quartz II Pressure Gauge is used to provide continuous, real time data about downhole conditions, helping increase productivity throughout the life of the well or reservoir. The gauge uses a quartz pressure sensor to produce the highest quality data and has a high pressure rating, operating at pressures up to 25,000 psi and temperatures up to 150°C. The gauge is characterized by its electron beam welded sensor, feedthru and housing bodies. It has hermetically sealed electronics and a dual protection metal to metal seal design that prevents leaks from entering, all of which makes it very reliable. Therefore, when working at high pressures and when the highest quality data is required the 0.75" Quartz II Pressure Gauge is perfect.

FEATURES

- Fully Welded Construction
- Hermetically Sealed
- Corrosion Resistant NACE MR0175
- Metal to Metal Seals
- Highest Quality Data
- Highest Reliability

BENEFITS

The 0.75" Quartz II Pressure Gauge is quick and easy to install and produces the highest quality well or reservoir data in real time. Its fully welded construction, dual protection metal to metal seal design, and hermetically sealed electronics, make it a very reliable gauge.



0.75" Quartz II Pressure Gauge

0.75" OD Quartz Permanent Gauge 2 - Inconel 718

Pressure	Temperature	Part No.	
		1/4" Wire	1/8" Wire
10,000 psi	150°C	102212	102208
16,000 psi		102213	102209
20,000 psi		102214	102210
25,000 psi		102215	102211

Specifications

Maximum External Pressure	10% Over	
Maximum O.D.	0.75 in	19.05 mm
Maximum Temperature	300°F	150°C
	Pressure	Temperature
Accuracy	0.020% F.S.	0.25°C
Resolution	0.00006% F.S.	0.005°C
Drift	< 3 psi / year	< 0.5°C / year