

0.75" Piezo Stainless Steel Pressure Gauge

APPLICATION

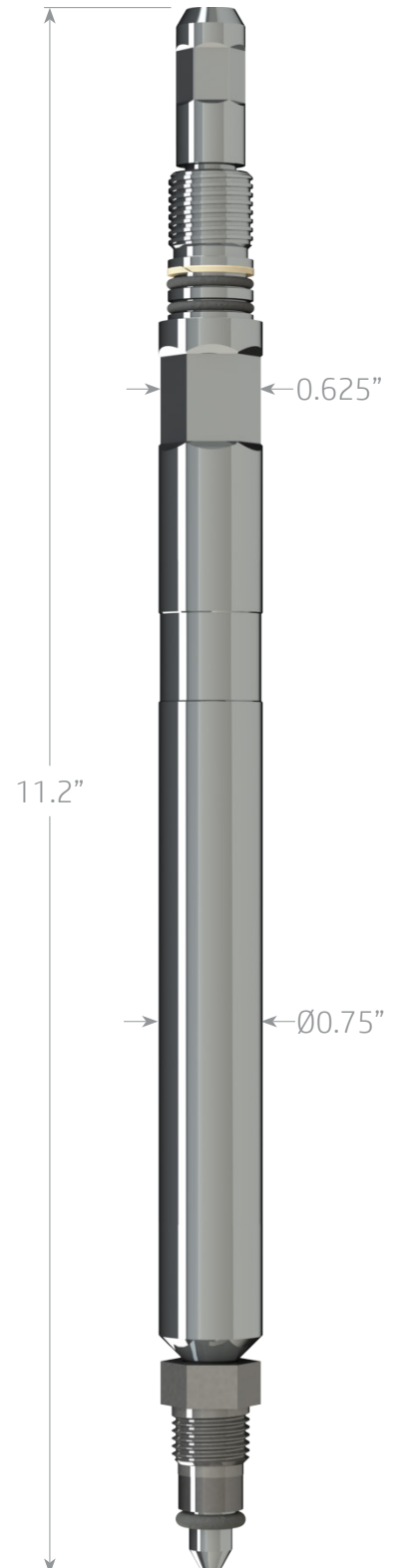
DataCan's 0.75" Piezo Stainless Steel Pressure Gauge is our standard permanent gauge that delivers pressure, temperature and vibration (optional) readings in sweet applications. It is used to provide continuous, real time data about downhole conditions, helping increase productivity throughout the life of the well or reservoir. The gauge operates at pressures up to 15,000 psi and temperatures up to 150°C. The gauge is characterized by its electron beam welded sensor, feedthru and housing bodies. It has hermetically sealed electronics and a dual protection metal to metal seal design that prevents leaks from entering, all of which makes it a very reliable gauge.

FEATURES

- Fully Welded Construction
- Hermetically Sealed
- Dual Protection Metal to Metal Seal Design
- Dual Axis Vibration Sensor Option - Capable Of Monitoring Pump Wear

BENEFITS

The 0.75" Piezo Stainless Steel Pressure Gauge is quick and easy to install and produces high quality well or reservoir data in real time. Its fully welded construction, dual protection metal to metal seal design, and hermetically sealed electronics, make it a very reliable gauge.



0.75" Piezo Stainless Steel Pressure Gauge

Piezo Permanent - Stainless			
Pressure	Temperature	Part No.	
		¼" Wire	⅛" Wire
750 psi	150°C	104476	104482
1,500 psi		104477	104483
3,000 psi		104478	104484
6,000 psi		104479	104485
10,000 psi		104480	104486
15,000 psi		104481	104487

Piezo Permanent With Vibration - Stainless			
Pressure	Temperature	Part No.	
		¼" Wire	⅛" Wire
750 psi	150°C	104488	104494
1,500 psi		104489	104495
3,000 psi		104490	104496
6,000 psi		104491	104497
10,000 psi		104492	104498
15,000 psi		104493	104499

Specifications		
	Pressure	Temperature
Accuracy Up To	0.022% Full Scale	0.25°C
Resolution	0.0003% Full Scale	0.005°C
Drift	< 3 psi / year	< 0.1°C / year
Vibration Range	±50 g	