

### Mini Production Logging Tool

#### Application

The mini production logging tool is very similar and has all the same features as the basic production logging tool, but it is also compatible with a number of different flowmeters. The mini production logging tool has an RTD sensor for fast temperature sensing. Both RTD and piezo pressure sensor are electron beam welded so the tool is less likely to leak making it more reliable. The mini production logging tool has a casing collar locator (CCL) that uses high strength, long life magnets. It is compatible with the 5" or 7" fullbore spinner as well as the 1.375", 1.688" and 2.125" continuous spinner. The "C" sized battery pack used to run this gauge is locking and large enough for long duration jobs.

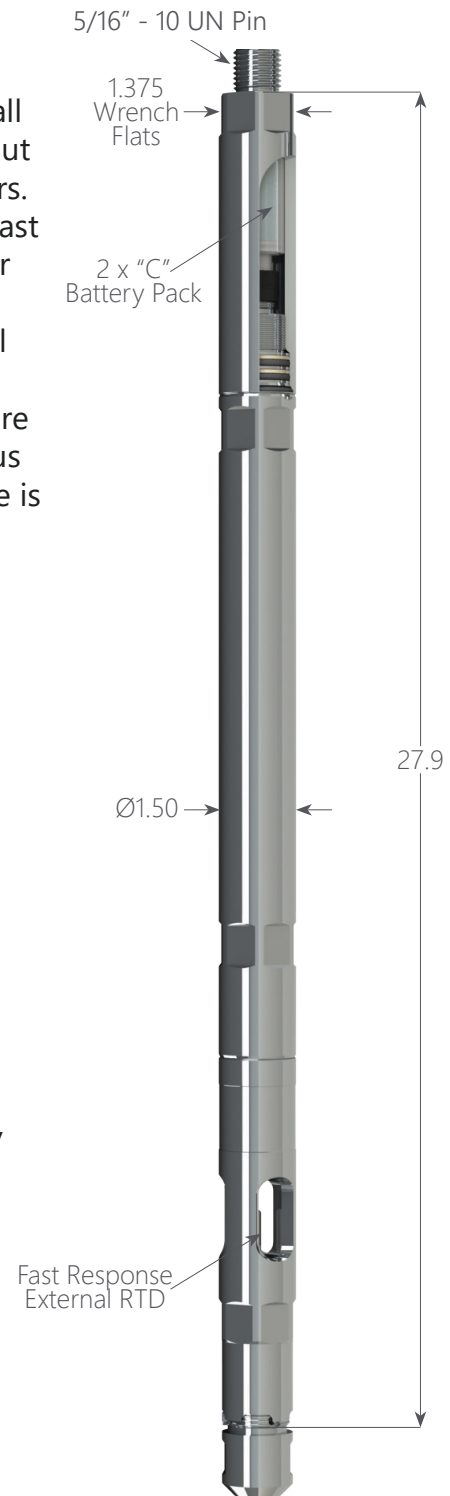
#### Features

- Pressure
- External Fast Response Temperature Probe
- Casing Collar Locator
- Compatible with a Number of Different Flowmeters
- Easy to Use
- Fully Welded Construction
- Inconel 718 – NACE MR0175

#### Benefits

The Mini Production Logging tool runs on slickline. With its compact size and cost effective design, it is a relatively inexpensive solution to the customers' production logging needs. The CCL is highly responsive, even at high temperatures.

DataCan's download software, complete with battery calculator, allows you to program your tool, graph your data, and create a report for your customer.



### Mini Production Logging Tool

1.5" Mini Production Logging Tool - Inconel 718		
Pressure	Temperature	Part No.
10,000 psi	150°C	107401
15,000 psi	177°C	107425

Compatible Spinners			
Spinner Type	Size	Version	Part No.
Fullbore Spinner	5"	Standard Service	AM005WA0002
		H2S Service	AM005WB0002
	7"	Standard Service	AM005WA0008
		H2S Service	AM005WB0008
Continuous Spinner	1.375"	Standard Service	AM005WA0003
		H2S Service	AM005WB0003
	1.688"	Standard Service	AM005WA0004
		H2S Service	AM005WB0004
	2.125"	Standard Service	AM005WA0007
		H2S Service	AM005WB0007

Accessories	
Accessory Type	Part No.
Battery Barrel 1 X "C" Inconel 718	105047
Battery Barrel 1 x "CC" Inconel 718	105123
Pelican Case Assembly	105125
Redress Kit Viton 90	105126
Redress Kit Aflas 7182B	105127
Redress Kit Chemraz 510	105128

Specifications			
	Pressure	Temperature	Accelerometer
Accuracy Up To	0.050% F.S.	0.25°C	0.1 g
Resolution	0.0003% F.S.	0.01°C	0.01 g
Drift	< 3 psi / year	< 0.1°C / year	-
Casing Collar Locator			
Detector Type	Electromagnetic		
Flowmeter			
Minimum Rotation	0 rpm		
Maximum Rotation	8760 rpm		
Input	6 Pulses/Revolution		
Max Flow Rate	550 ft/min		
Output	6 Pulses/Revolution		
Accuracy	0.02		
Resolution	0.125 rps		
Memory			
Sample Rate	0.1 sec to 1.82 hours		
Capacity	1.8 Million Samples		
Communication Method	USB		