

0.75" Low Temp Piezo Inconel Pressure Gauge

APPLICATION

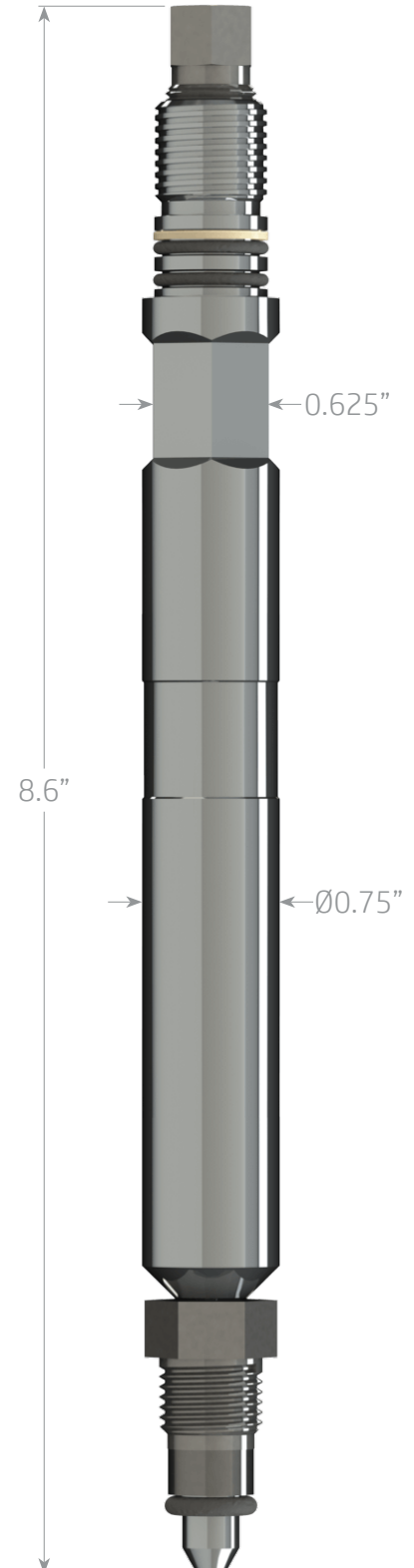
DataCan's 0.75" Low Temp Piezo Inconel Pressure Gauge delivers pressure, temperature and vibration (optional) readings in sour applications. It is used to provide continuous, real time data about downhole conditions, helping increase productivity throughout the life of the well or reservoir. The gauge operates at pressures up to 15,000 psi and temperatures up to 85°C. The gauge is characterized by its electron beam welded sensor, feedthru and housing bodies. It has hermetically sealed electronics and a dual protection metal to metal seal design that prevent leaks from entering, all of which makes it very reliable.

FEATURES

- Value Priced
- Fully Welded Construction
- Hermetically Sealed
- Dual Protection Metal to Metal Seal Design
- Corrosion Resistant NACE MR0175
- Dual Axis Vibration Sensor Option - Capable Of Monitoring Pump Wear

BENEFITS

The 0.75" Low Temp Piezo Inconel Pressure Gauge is quick and easy to install and produces high quality well or reservoir data in real time. Its fully welded construction, dual protection metal to metal seal design, and hermetically sealed electronics, make it a very reliable gauge. It is also a more economical option for low temp applications, as it only goes up to 85°C.



0.75" Low Temp Piezo Inconel Pressure Gauge

Low Temp Piezo Permanent - Inconel 718			
Pressure	Temperature	Part No.	
		¼" Wire	⅛" Wire
750 psi	85°C	102470	102471
1,500 psi		102472	102477
3,000 psi		102473	102478
6,000 psi		102474	102479
10,000 psi		102475	102480
15,000 psi		102476	102481

Low Temp Piezo Permanent With Vibration - Inconel 718			
Pressure	Temperature	Part No.	
		¼" Wire	⅛" Wire
750 psi	85°C	101870	101878
1,500 psi		101893	101898
3,000 psi		101894	101899
6,000 psi		101895	101900
10,000 psi		101896	101901
15,000 psi		101897	101902

Specifications		
	Pressure	Temperature
Accuracy Up To	0.022% Full Scale	0.25°C
Resolution	0.0003% Full Scale	0.005°C
Drift	< 3 psi / year	< 0.1°C / year
Vibration Range	±50 g	