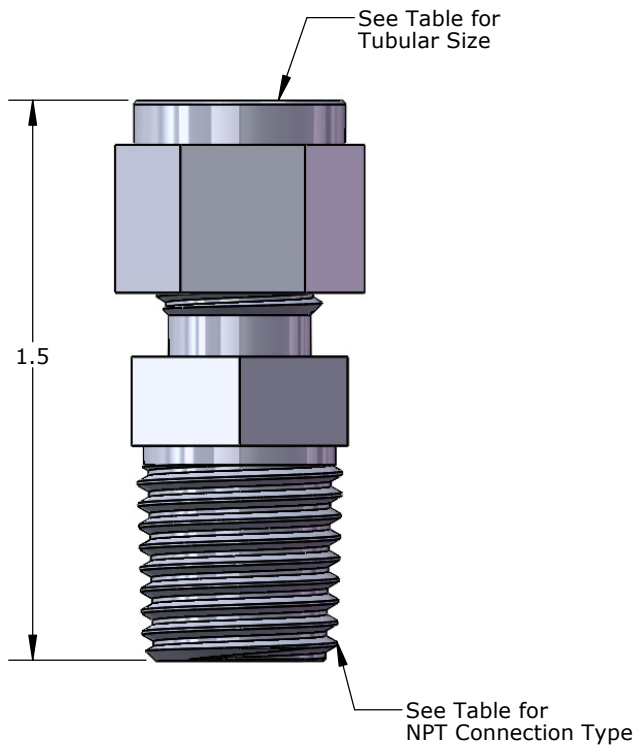


Features

- ✦ Excellent gas-tight sealing and tube-gripping action
- ✦ Easily achieved proper installation
- ✦ Consistent remakes
- ✦ Excellent vibration fatigue resistance and tube support
- ✦ Full compatibility with original Swagelok stainless steel tube fittings of identical sizes



Hanger Feedthru Connector		
Tubular Size	Connection	Part No.
1/4"	1/2" NPT	102173
	3/8" NPT	102102
	1/4" NPT	102096
1/8"	1/2" NPT	102120
	1/4" NPT	103528

Specifications	
Body Material	Stainless Steel
Body Type	Male Connector
Series	Swagelok tube and adapter fittings
Bore Thru	0.255" Suitable for 1/4" TEC