

0.75" Geothermal SRO Gauge

APPLICATION

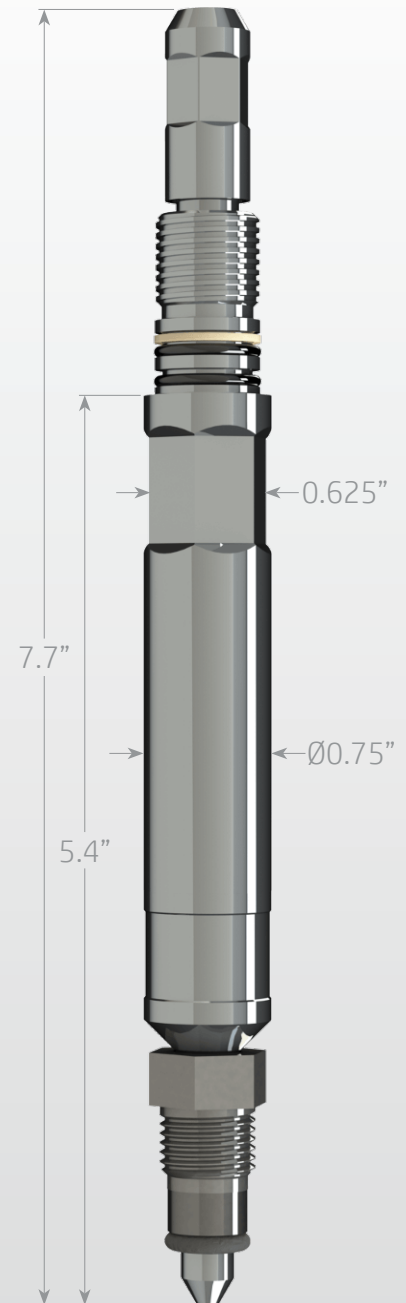
DataCan's 0.75" Geothermal SRO Gauge is used to provide continuous, real time data about downhole conditions, helping increase productivity throughout the life of the well or reservoir. The gauge uses a high temp pressure sensor to be used in the hottest wells, operating at pressures up to 30,000 psi and temperatures up to 300°C. The gauge is characterized by its electron beam welded sensor, feedthru and housing bodies. It is hermetically sealed and filled with inert gas and has a dual protection metal to metal seal design that prevents leaks from entering, all of which makes it very reliable. Therefore, when working at the highest pressures and highest temperatures the 0.75" Geothermal SRO Gauge is perfect.

FEATURES

- Real Time Geothermal Pressure and Temperature Data
- Fully Welded Construction
- Hermetically Sealed & Filled with Inert Gas
- Dual Protection Metal to Metal Seal Design
- Laboratory Tested for One Year at 260 °C

BENEFITS

The 0.75" Geothermal SRO Gauge is quick and easy to install and produces high quality well or reservoir data in real time. Its fully welded construction, dual protection metal to metal seal design, and hermetically sealed electronics, make it a very reliable gauge, even at the highest temperatures.



0.75" Geothermal SRO Gauge

Geothermal SRO Gauge		
Pressure	Wire Size	Part No.
1,500 psi	1/4"	103486
3,000 psi		103487
6,000 psi		103488
10,000 psi		103489
15,000 psi		103490
30,000 psi		103491

Accessory Type	Part No.
TEC - 0.25" OD x 0.028 Wall, 300°C - SS	102353
TEC - 0.25" OD x 0.028 Wall, 300°C - Inconel 718	103507
0.75 OD Cablehead V2 0.25 Wire - SS	101905
0.75 OD Cablehead V2 0.25 Wire - Inconel 718	101915

Specifications		
	Pressure	Temperature
Accuracy Up To	0.1% Full Scale	1°C
Resolution	0.0003% Full Scale	0.005°C
Drift	< 2 % / year	< 1% / year