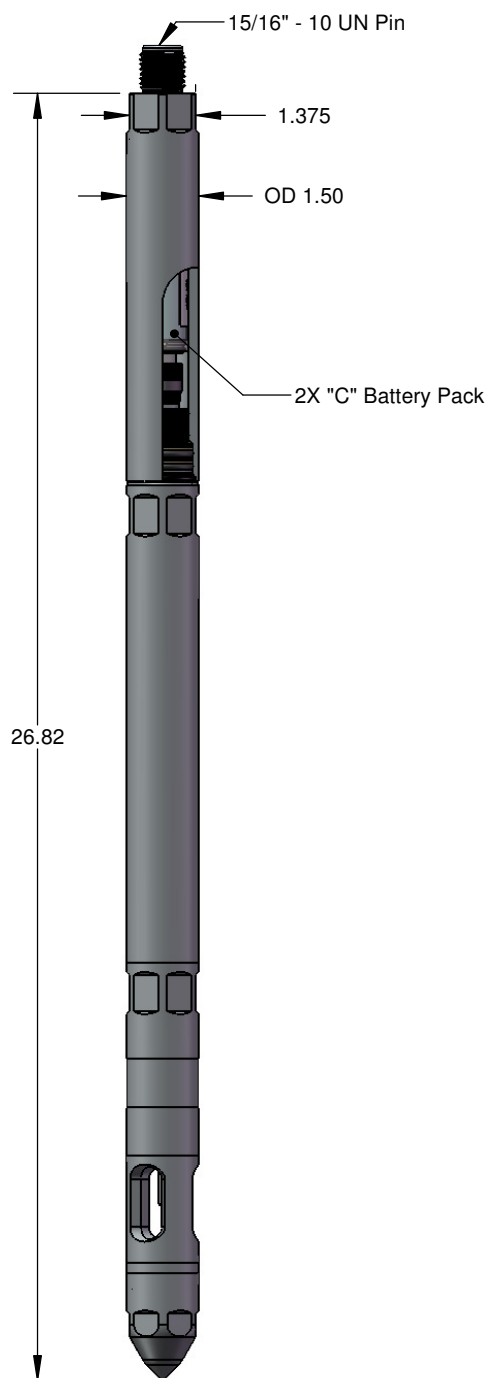


### Features

- ✦ Pressure
- ✦ External Fast Response Temperature Probe
- ✦ Casing Collar Locator
- ✦ Easy to Use
- ✦ Welded Sensors
- ✦ Inconel 718 – NACE MR0175



1.50" OD Basic Production Logging Tool - Inconel 718		
Pressure	Temperature	Part No.
3,000 psi	150°C	105143
6,000 psi		105144
10,000 psi	177°C	105112
15,000 psi		105145
20,000 psi		105146

Accessory Type	Part No.
Bullnose SS316	105140
Crossover 15/16-10 UNC (5/8" Sucker Rod) SS316	105233
Battery Barrel 1 x "CC" Inconel 718	105123
Pelican Case Assembly	105125
Redress Kit Viton 90	105126
Redress Kit Aflas	105127
Redress Kit Chemraz	105128

Specifications			
	Pressure	Temperature	Accelerometer
<b>Accuracy</b>	0.050% F.S.	0.25°C	0.1 g
<b>Resolution</b>	0.0003% F.S.	0.01°C	0.01 g
<b>Drift</b>	< 3 psi / year	< 0.1°C / year	-

Casing Collar Locator	
<b>Detector Type</b>	Electromagnetic
Memory	
<b>Sample Rate</b>	0.1 sec to 1.82 hours
<b>Capacity</b>	2 Million Samples
<b>Communication</b>	USB