




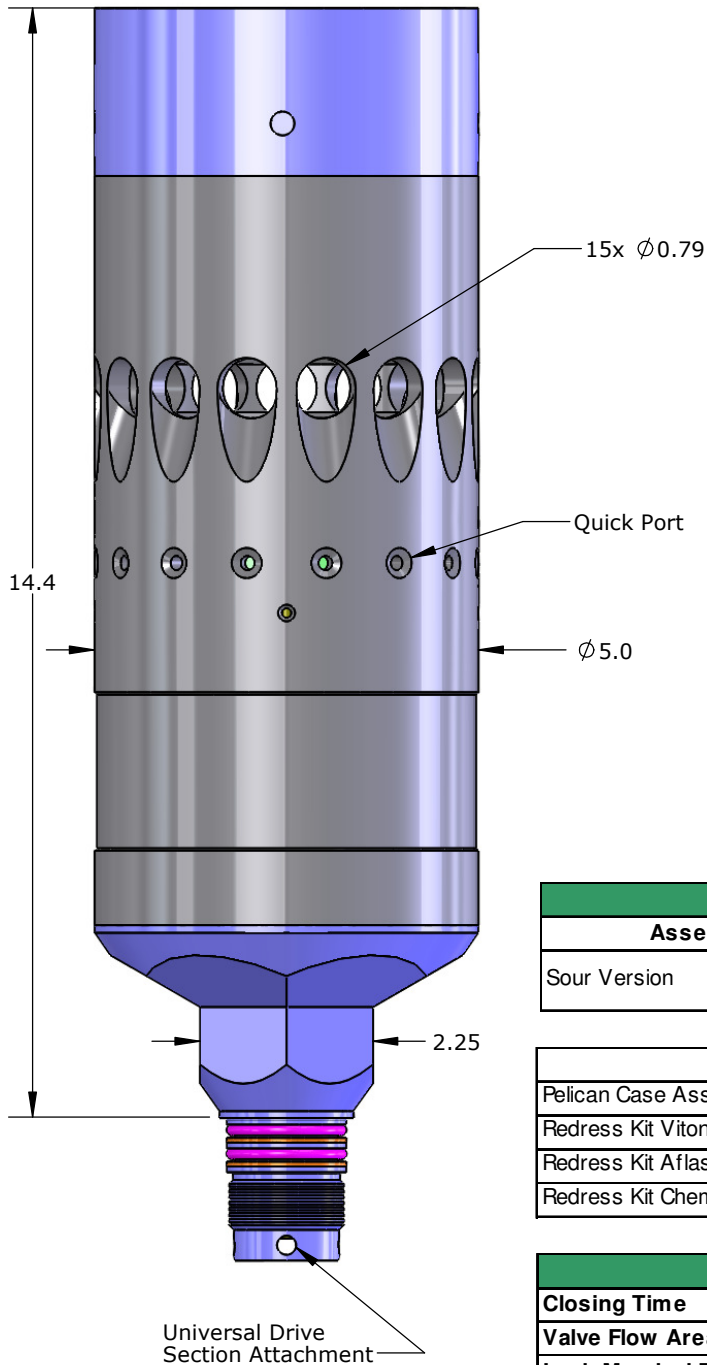


Features

-  Instant Close Time
-  Multiple Cycle Capability
-  Metal to Metal Seals
-  Eliminates Wellbore Storage Effect
-  Modular Design



3.5" OD Quick Shut In Tool Production Valve		
Assembly Type	Material	Part No.
Sour Version	Inconel 718 Toughmet Piston	102869

Accessory Type	Part No.
Pelican Case Assembly	104249
Redress Kit Viton 90	104246
Redress Kit Aflas 7182B	104247
Redress Kit Chemraz 510	104248

Specifications	
Closing Time	Instantaneous
Valve Flow Area	7.35 in ² (47.4 cm ²)
Lock Mandrel Flow Area	7.35 in ² (47.4 cm ²)
Max External Pressure	7,000 psi (483 bar)
Max Differential Pressure	2,500 psi (170 bar)
Max Temperature	350 °F (177 °C)
Power Source	3 "D" Cell Battery Pack (11.0 Volts, 10.0Ahr)
Communication Method	USB