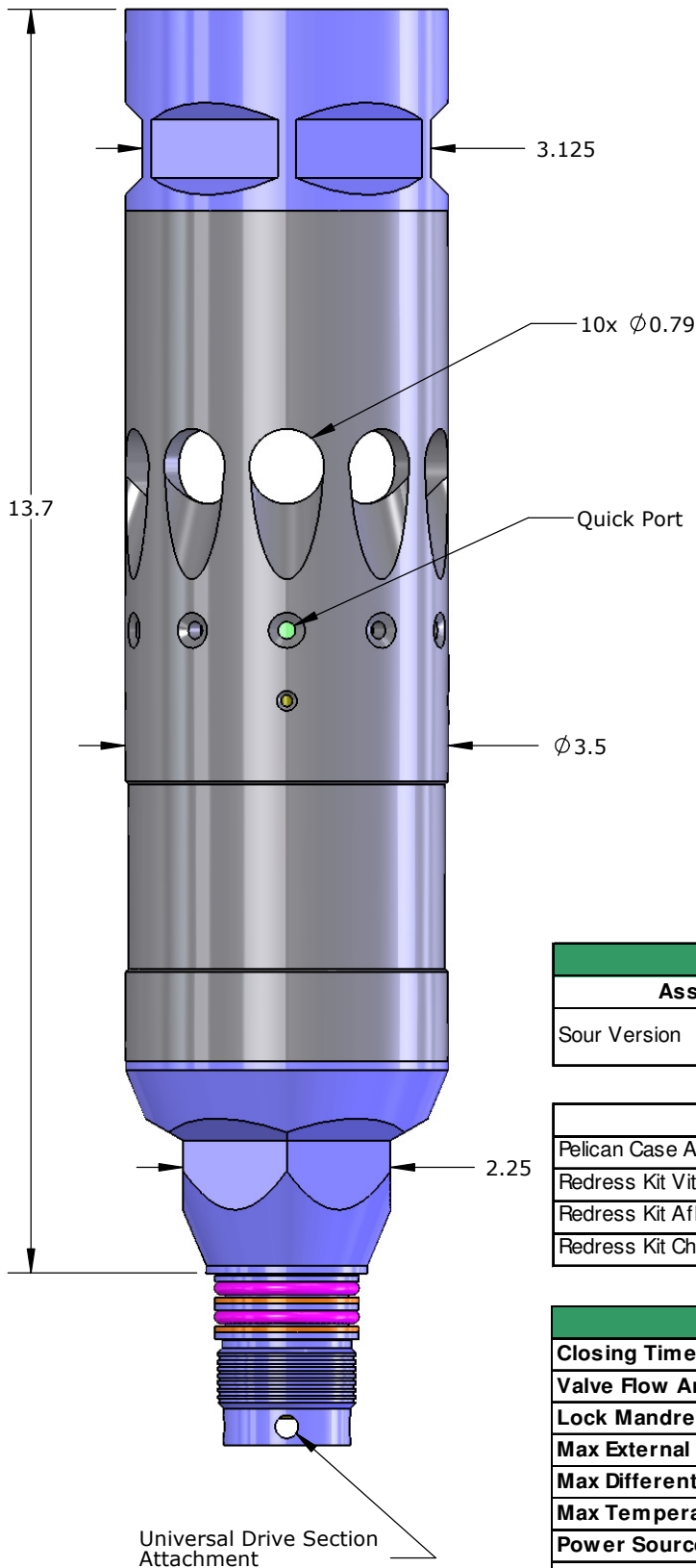


Features

- ✦ Instant Close Time
- ✦ Multiple Cycle Capability
- ✦ Metal to Metal Seals
- ✦ Eliminates Wellbore Storage Effect
- ✦ Modular Design



3.50" OD Quick Shut In Tool Production Valve

Assembly Type	Material	Part No.
Sour Version	Inconel 718 Toughmet Piston	102436

Accessory Type	Part No.
Pelican Case Assembly	102466
Redress Kit Viton 90	102444
Redress Kit Aflas 7182B	102445
Redress Kit Chemraz 510	102446

Specifications

Closing Time	Instantaneous
Valve Flow Area	4.90 in ² (31.6 cm ²)
Lock Mandrel Flow Area	4.90 in ² (31.6 cm ²)
Max External Pressure	10,000 psi (690 bar)
Max Differential Pressure	6,000 psi (410 bar)
Max Temperature	350°F (177°C)
Power Source	3 "D" Cell Battery Pack (11.0 Volts, 10.0Ahr)
Communication Method	USB