




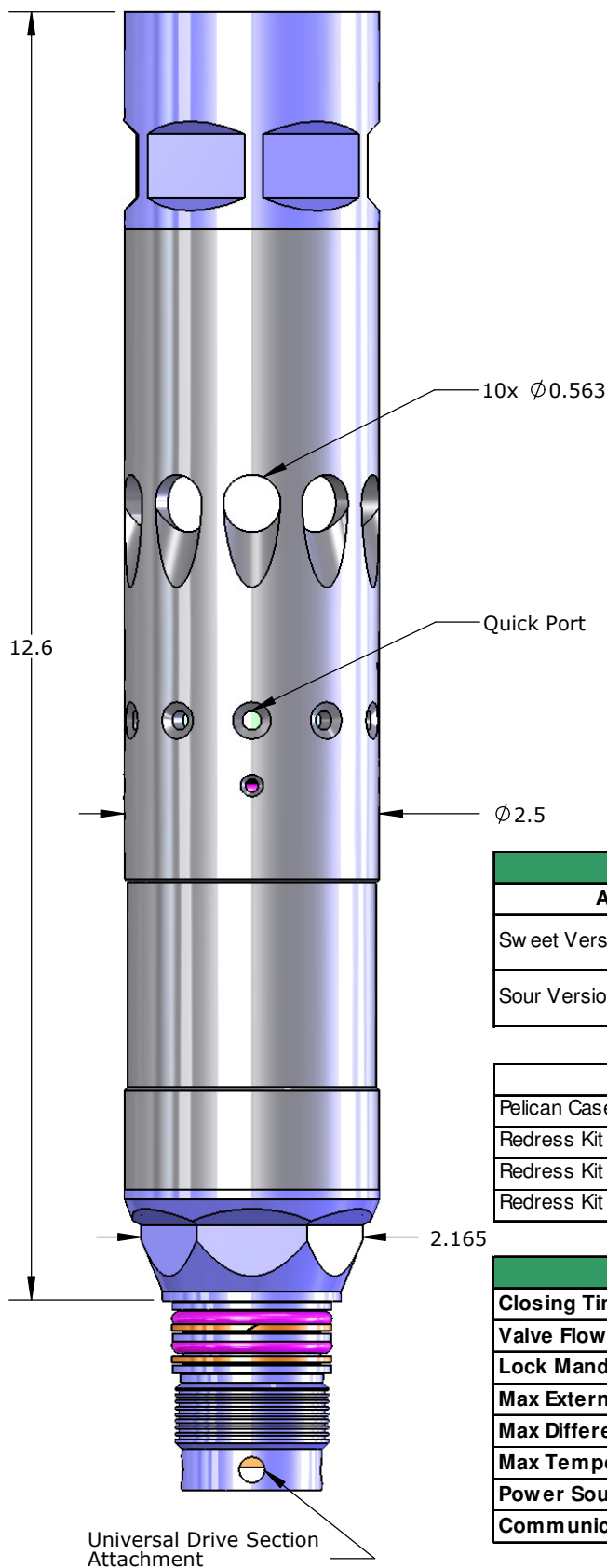


#### Features

-  Instant Close Time
-  Multiple Cycle Capability
-  Metal to Metal Seals
-  Eliminates Wellbore Storage Effect
-  Modular Design



#### 2.5" OD Quick Shut In Tool Production Valve

Assembly Type	Material	Part No.
Sweet Version	SS17-4 Toughmet Piston	100205
Sour Version	Inconel 718 Toughmet Piston	100219

#### Accessory Type

Accessory Type	Part No.
Pelican Case Assembly	100193
Redress Kit Viton 90	100223
Redress Kit Aflas 7182B	100224
Redress Kit Chemraz 510	100225

#### Specifications

<b>Closing Time</b>	Instantaneous
<b>Valve Flow Area</b>	2.50 in <sup>2</sup> (16.1 cm <sup>2</sup> )
<b>Lock Mandrel Flow Area</b>	2.40 in <sup>2</sup> (15.5 cm <sup>2</sup> )
<b>Max External Pressure</b>	16,000 psi (1,100 bar)
<b>Max Differential Pressure</b>	10,000 psi (700 bar)
<b>Max Temperature</b>	350 °F (177 °C)
<b>Power Source</b>	3 "D" Cell Battery Pack (11.0 Volts, 10.0Ahr)
<b>Communication Method</b>	USB