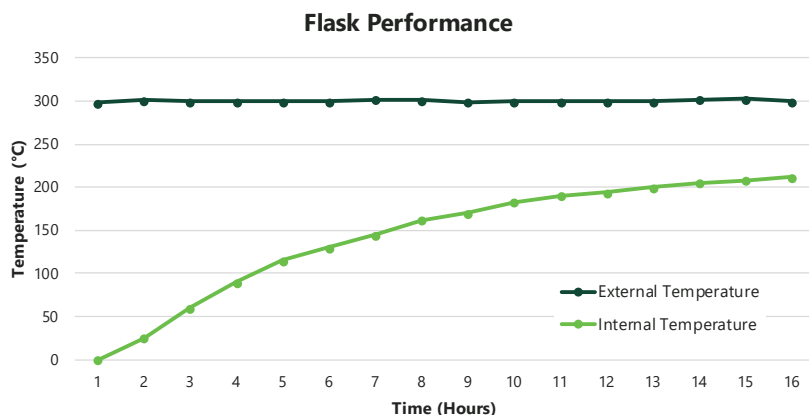


### 2.0" Geothermal PT Gauge



#### Application

The 2.0" Geothermal tool has an external fast response temperature sensor and an internal pressure piezo sensor. Since the temperature sensitive downhole electronics are thermally insulated, this tool can be run in extreme temperatures; up to 300°C for 8 hours. The 2.0" Geothermal has thicker external walls than the 1.75" and can reach pressures up to 30,000 psi.

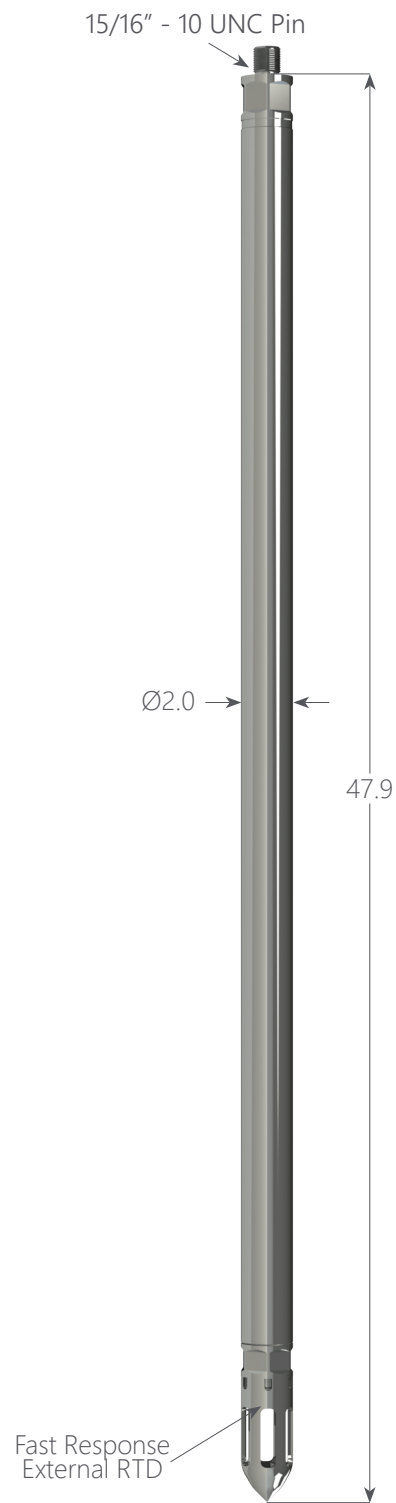
#### Features

- 8 hours @ 300°C (600°F)
- External Fast Response Temperature Probe
- Casing Collar Locator Option
- 0.1s Fast Sample Rate Option
- Pressure Trigger Option
- 1 Million Sample Capacity
- Inconel 718 – NACE MR0175

#### Benefits

DataCan piezo gauges have excellent efficiency, meaning the battery life of the tool is just as good, if not better than competitors. DataCan piezo gauges have shock mounted electronics which means they have high reliability.

DataCan's download software, complete with battery calculator, allows you to program your tool, graph your data, and create a report for your customer.



### 2.0" Geothermal PT Gauge

2.0" Geothermal PT - Inconel 718	
Pressure	Part No.
25,000 psi	103499
30,000 psi	103500

Accessories	
Accessory Type	Part No.
Bullnose SS316	103501
Crossover 15/16-10 UNC (5/8" Sucker Rod) SS316	103502
Casing Collar Locator	101675
Pelican Case Assembly	100526
Redress Kit Viton 90	101672
Redress Kit Aflas 7182B	101673
Redress Kit Chemraz 510	101674

Specifications		
	Pressure	Temperature
Accuracy Up To	0.022% F.S.	0.25°C
Resolution	0.0003% F.S.	0.005°C
Drift	< 3 psi / year	< 0.1°C / year
Capacity	1 Million Samples	
Communication Method	USB	