

1.75" Geothermal PTS-GR, CCL

Application

The 1.75" Geothermal PTS-CCL tool has an external fast response temperature sensor that is exposed to the wellbore fluid and an internal pressure piezo sensor that senses wellbore pressure through a capillary tube. The casing collar locator (CCL) uses high strength, long life magnets that provide accurate depth correlation when run downhole. The Gamma Ray section of the tool employs a sensitive sodium iodide scintillation crystal and photomultiplier tube to detect naturally occurring and artificially induced gamma ray radiation. This is used for correlation to the surrounding lithology of the well. It is compatible with the 5" or 7" Fullbore Spinner as well as the 1.375", 1.688" and 2.125" Continuous Spinner.

The temperature sensitive downhole electronics are thermally insulated inside a vacuum flask with a heat sink to reduce the rate of temperature rise within the flask. This allows the 1.75" Geothermal PTS-GR/CCL tool to operate in extreme temperature applications; up to 300°C for 8 hours.

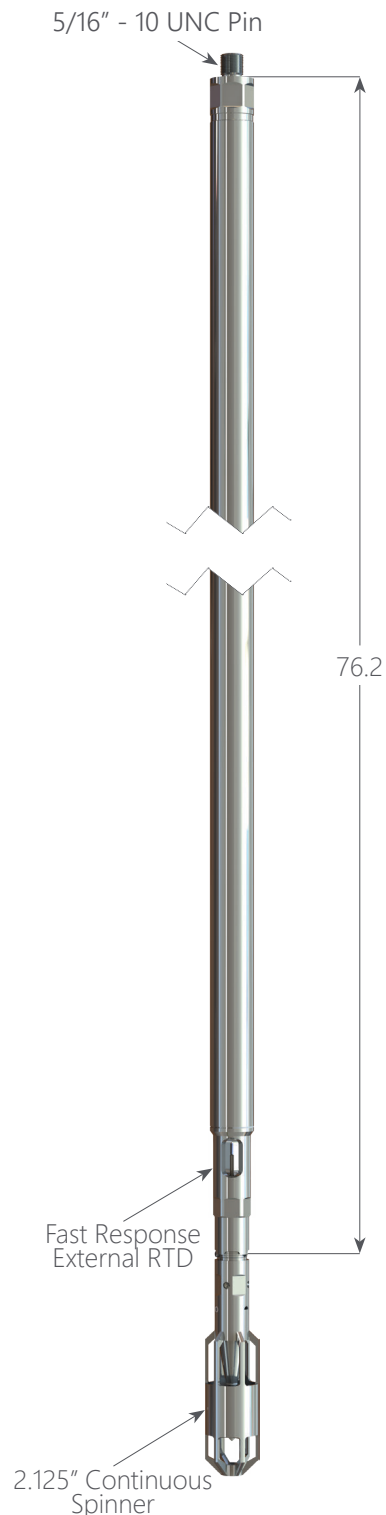
Features

- 8 hours @ 300°C (600°F)
- External Fast Response Temperature Probe
- Casing Collar Locator
- Compatible with a Number of Different Flowmeters
- 0.1s Fast Sample Rate Option
- Pressure Trigger Option
- 1.6 Million Sample Capacity
- Inconel 718 – NACE MR0175

Benefits

DataCan piezo gauges have excellent efficiency, meaning the battery life of the tool is just as good, if not better than competitors. DataCan piezo gauges have shock mounted electronics which means they have high reliability.

DataCan's download software, complete with battery calculator, allows you to program your tool, graph your data, and create a report for your customer.



1.75" Geothermal PTS-GR, CCL

1.75" Geothermal PTS-GR, CCL - Inconel 718	
Pressure	Part No.
750 psi	108299
1,500 psi	108300
3,000 psi	108301
6,000 psi	108302
10,000 psi	108303
15,000 psi	108304
20,000 psi	108305

Compatible Spinners			
Spinner Type	Size	Version	Part No.
Fullbore Spinner	5"	Standard Service	AM005WA0002
		H2S Service	AM005WB0002
	7"	Standard Service	AM005WA0008
		H2S Service	AM005WB0008
Continuous Spinner	1.375"	Standard Service	AM005WA0003
		H2S Service	AM005WB0003
	1.688"	Standard Service	AM005WA0004
		H2S Service	AM005WB0004
	2.125"	Standard Service	AM005WA0007
		H2S Service	AM005WB0007

Accessories	
Accessory Type	Part No.
Pelican Case Assembly	108306
Redress Kit Aflas 7182B	107777
Redress Kit Chemraz 510	107778

Specifications		
	Pressure	Temperature
Accuracy Up To	0.022% F.S.	0.25°C
Resolution	0.0003% F.S.	0.001°C
Drift	< 3 psi / year	< 0.1°C / year
Gamma Ray		
Detector Type	Scintillation	
Casing Collar Locator		
Detector Type	Electromagnetic	
Flowmeter		
Minimum Rotation	30 rpm	
Maximum Rotation	18000 rpm	
Resolution	0.125 rps	
Memory		
Capacity	1.6 Million Samples	
Communication Method	USB	

1.75" Geothermal PTS-GR, CCL

Application

The 1.75" Geothermal PTS-CCL tool has an external fast response temperature sensor that is exposed to the wellbore fluid and an internal pressure piezo sensor that senses wellbore pressure through a capillary tube. The casing collar locator (CCL) uses high strength, long life magnets that provide accurate depth correlation when run downhole. The Gamma Ray section of the tool employs a sensitive sodium iodide scintillation crystal and photomultiplier tube to detect naturally occurring and artificially induced gamma ray radiation. This is used for correlation to the surrounding lithology of the well. It is compatible with the 5" or 7" Fullbore Spinner as well as the 1.375", 1.688" and 2.125" Continuous Spinner.

The temperature sensitive downhole electronics are thermally insulated inside a vacuum flask with a heat sink to reduce the rate of temperature rise within the flask. This allows the 1.75" Geothermal PTS-GR/CCL tool to operate in extreme temperature applications; up to 300°C for 8 hours.

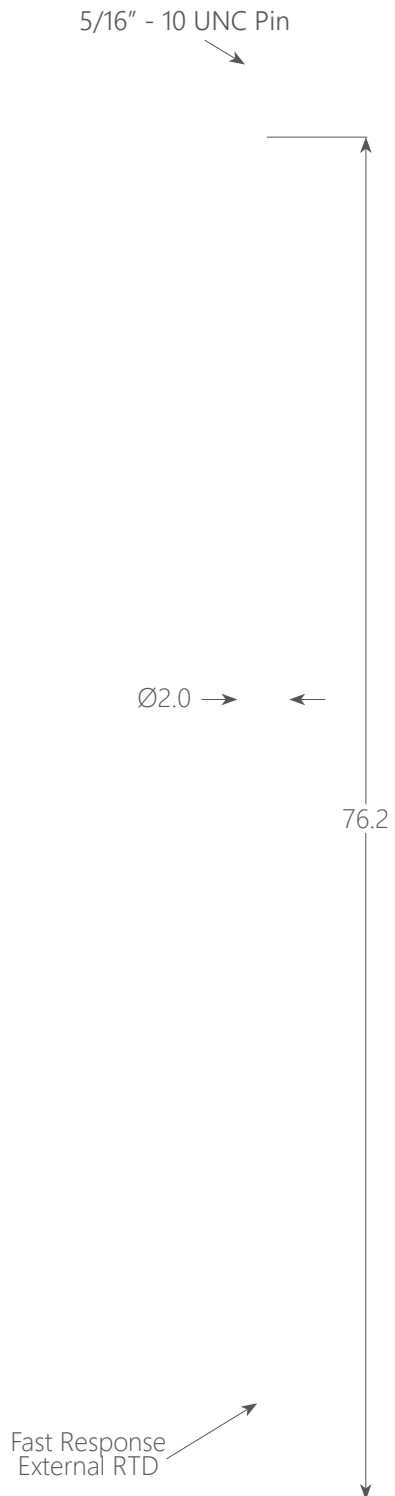
Features

- 8 hours @ 300°C (600°F)
- External Fast Response Temperature Probe
- Casing Collar Locator
- Compatible with a Number of Different Flowmeters
- 0.1s Fast Sample Rate Option
- Pressure Trigger Option
- 1.6 Million Sample Capacity
- Inconel 718 – NACE MR0175

Benefits

DataCan piezo gauges have excellent efficiency, meaning the battery life of the tool is just as good, if not better than competitors. DataCan piezo gauges have shock mounted electronics which means they have high reliability.

DataCan's download software, complete with battery calculator, allows you to program your tool, graph your



1.75" Geothermal PTS-GR, CCL

1.75" Geothermal PTS-GR, CCL - Inconel 718	
Pressure	Part No.
750 psi	108299
1,500 psi	108300
3,000 psi	108301
6,000 psi	108302
10,000 psi	108303
15,000 psi	108304
20,000 psi	108305

Compatible Spinners			
Spinner Type	Size	Version	Part No.
Fullbore Spinner	5"	Standard Service	AM005WA0002
		H2S Service	AM005WB0002
	7"	Standard Service	AM005WA0008
		H2S Service	AM005WB0008
Continuous Spinner	1.375"	Standard Service	AM005WA0003
		H2S Service	AM005WB0003
	1.688"	Standard Service	AM005WA0004
		H2S Service	AM005WB0004
	2.125"	Standard Service	AM005WA0007
		H2S Service	AM005WB0007

Accessories	
Accessory Type	Part No.
Pelican Case Assembly	108306
Redress Kit Aflas 7182B	107777
Redress Kit Chemraz 510	107778

Specifications		
	Pressure	Temperature
Accuracy Up To	0.022% F.S.	0.25°C
Resolution	0.0003% F.S.	0.001°C
Drift	< 3 psi / year	< 0.1°C / year
Gamma Ray		
Detector Type	Scintillation	
Casing Collar Locator		
Detector Type	Electromagnetic	
Flowmeter		
Minimum Rotation	30 rpm	
Maximum Rotation	18000 rpm	
Resolution	0.125 rps	
Memory		
Capacity	1.6 Million Samples	