

1.5" Side Pocket Piezo Carrier

Application

The 1.5" side pocket piezo carrier is shaped like a 1.5" gas lift valve, which allows the customer to deploy the piezo carrier the same way you would run a 1.5" gas lift valve in a side pocket mandrel. The carrier holds a 3/4" piezo memory gauge and can measure either tubing or annulus pressure. AA battery packs are used in 0.75" OD piezo gauges, which limits the duration the tool can be "on" downhole, typically no more than 2 to 3 months.

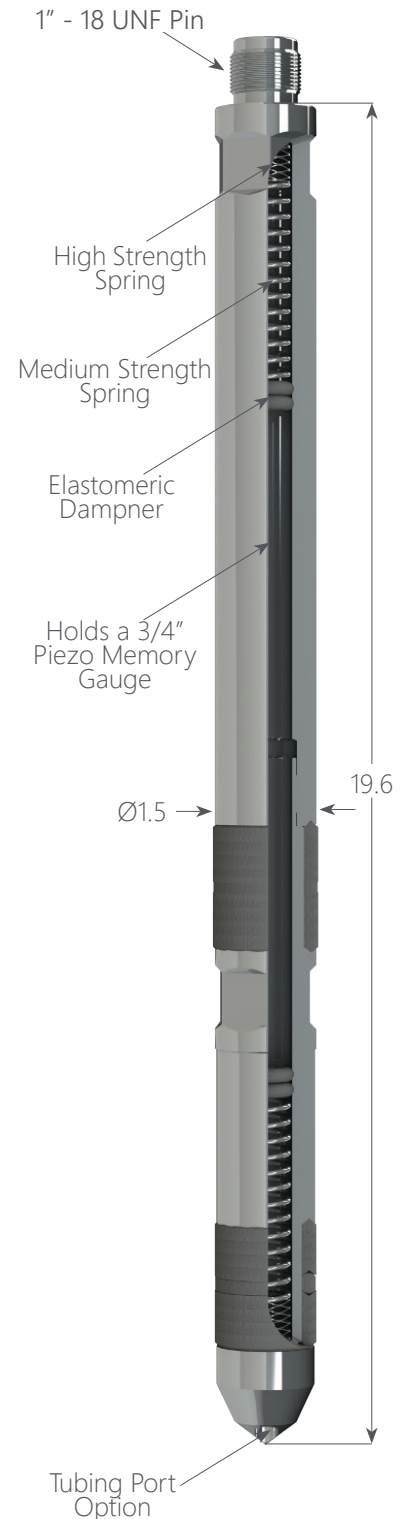
Features

- Shock Mounts a 3/4" Gauge - High Strength Spring, Medium Strength Spring, Elastomeric Dampener
- Annulus or Tubing Sensing
- SS17-4 or Inconel 718

Benefits

The biggest benefit of the 1.5" side pocket piezo carrier is a customer can deploy a gauge without interfering with the wellbore. DataCan piezo gauges also have excellent efficiency, meaning the battery life of the tool is just as good, if not better than competitors. DataCan piezo gauges have shock mounted electronics which means they have high reliability.

DataCan's download software, complete with battery calculator, allows you to program your tool, graph your data, and create a report for your customer.



1.5" Side Pocket Piezo Carrier

1.5" Side Pocket Piezo Carrier - Inconel 718		
Port	Material	Part No.
Tubing	SS316	100157
Annulus		100163
Tubing	Inconel 718 NACE MRO0175	100784
Annulus		100785

Accessories	
Accessory Type	Part No.
Pelican Case Assembly	100786
Top Latch SS316	100150
Top Latch Inconel 718	100787