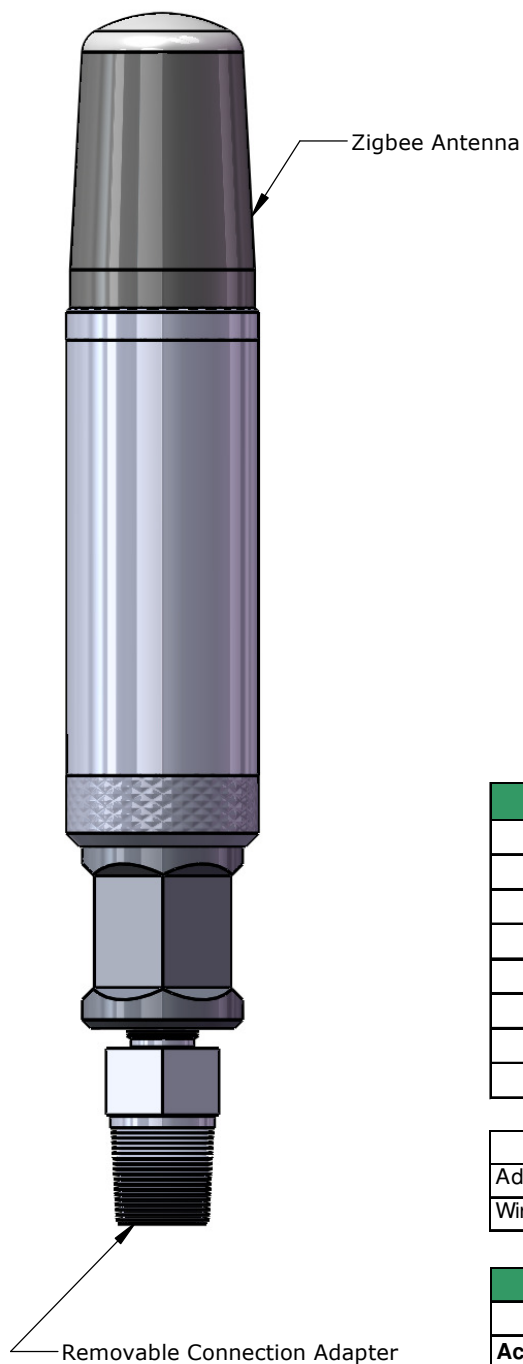


Features

- ✦ Easy to Use Software
- ✦ Digital Chart Records
- ✦ Multiple Sensor
- ✦ Electron Beam Welded
- ✦ Custom Pin or Box Connections Upon Request



Wireless Pressure Transmitter			
Pressure	Temperature	Connection	Part No.
750 psi	85 °C	1/4" NPT	101805
1,500 psi			101806
3,000 psi			101807
5,000 psi		1/4" Autoclave	101808
10,000 psi			101809
15,000 psi			101810
20,000 psi			101811

Accessory Type	Part No.
Adapter 1/2 NPT Pin x HM4	101438
Wireless Zigbee Receiver	101790

Specifications		
	Pressure	Temperature
Accuracy Up To	0.022% F.S.	0.25 °C
Resolution	0.0003% F.S.	0.005 °C
Drift	< 3 psi / year	< 0.1 °C/year
Communication Method	Radio	
Wireless Range	Up to 100m	