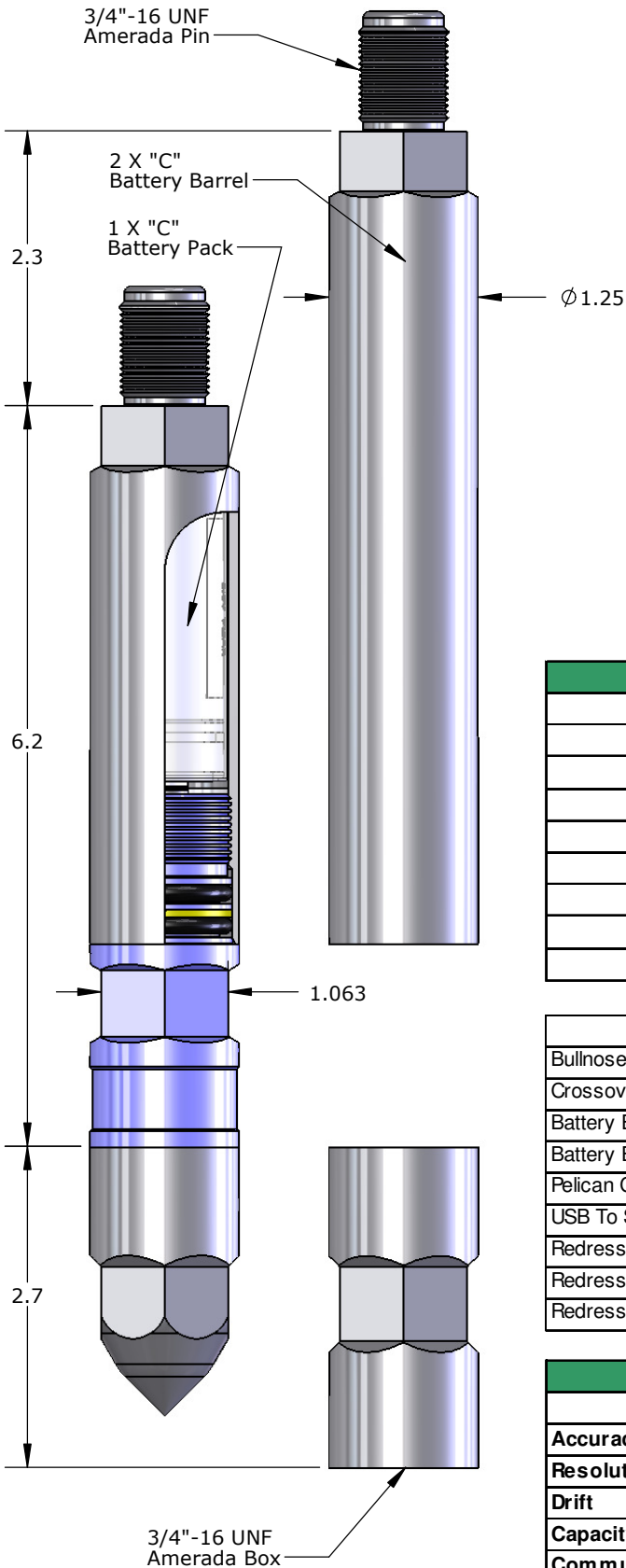


#### Features

- ✦ Welded Pressure Sensor
- ✦ Higher Reliability – Shock Mounted Electronics
- ✦ 0.1s Fast Sample Rate Option
- ✦ Pressure Trigger Option
- ✦ Optional Metal C-Ring
- ✦ 1 Million Sample Capacity
- ✦ Inconel 718 – NACE MR0175



**1.25" OD Welded Piezo III Memory Tool - Inconel 718**

Pressure	Temperature	Part No.
750 psi	100°C	101236
1,500 psi	120°C	101235
3,000 psi	150°C	101234
6,000 psi		101233
10,000 psi	177°C	101232
15,000 psi		101231
20,000 psi		101230
25,000 psi		101229

#### Accessory Type

Accessory Type	Part No.
Bullnose SS17-4	101238
Crossover 0.75-16 UNF SS17-4	101239
Battery Barrel 1 X "C" Inconel 718	100485
Battery Barrel 2 x "C" Inconel 718	100486
Pelican Case Assembly	100501
USB To Serial Converter Assembly	100682
Redress Kit Viton 90	100911
Redress Kit Aflas 7182B	101002
Redress Kit Chemraz 510	101003

#### Specifications

	Pressure	Temperature
<b>Accuracy Up To</b>	0.022% F.S.	0.25°C
<b>Resolution</b>	0.0003% F.S.	0.005°C
<b>Drift</b>	< 3 psi / year	< 0.1°C / year
<b>Capacity</b>	1 Million Samples	
<b>Communication Method</b>	USB	