

0.75" Piezo Inconel Pressure Gauge

Application

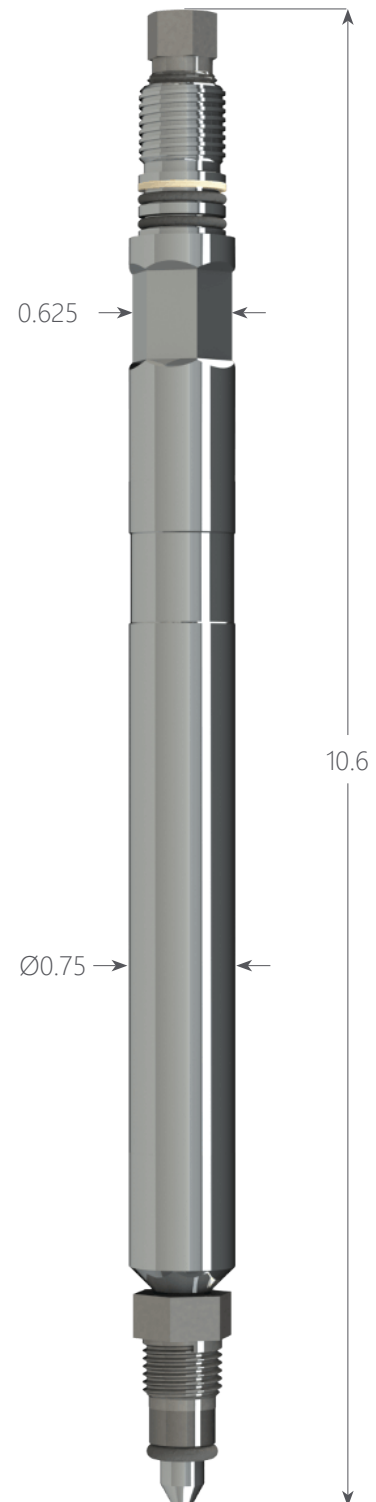
DataCan's 0.75" Piezo Inconel Pressure Gauge is our standard permanent gauge that delivers pressure, temperature and vibration (optional) readings in sour applications. It is used to provide continuous, real time data about downhole conditions, helping increase productivity throughout the life of the well or reservoir. The gauge operates at pressures up to 15,000 psi and temperatures up to 150°C. The gauge is characterized by its electron beam welded sensor, feedthru and housing bodies. It has hermetically sealed electronics and a dual protection metal to metal seal design that prevents leaks from entering, all of which makes it very reliable.

Features

- Fully Welded Construction
- Hermetically Sealed
- Dual Protection Metal to Metal Seal Design
- Corrosion Resistant NACE MR0175
- Dual Axis Vibration Sensor Option - Capable Of Monitoring Pump Wear

Benefits

The 0.75" Piezo Stainless Steel Pressure Gauge is quick and easy to install and produces high quality well or reservoir data in real time. Its fully welded construction, dual protection metal to metal seal design, and hermetically sealed electronics, make it a very reliable gauge.



0.75" Piezo Inconel Pressure Gauge

Piezo Permanent - Inconel 718			
Pressure	Temperature	Part No.	
		1/4" Wire	1/8" Wire
750 psi	150°C	104500	104506
1,500 psi		104501	104507
3,000 psi		104502	104508
6,000 psi		104503	104509
10,000 psi		104504	104510
15,000 psi		104505	104511

Piezo Permanent with Vibration - Inconel 718			
Pressure	Temperature	Part No.	
		1/4" Wire	1/8" Wire
750 psi	150°C	104512	104518
1,500 psi		104513	104519
3,000 psi		104514	104520
6,000 psi		104515	104521
10,000 psi		104516	104522
15,000 psi		104517	104523

Specifications		
	Pressure	Temperature
Accuracy Up To	0.022% F.S.	0.25°C
Resolution	0.0003% F.S.	0.005°C
Drift	< 3 psi / year	< 0.1°C / year
Vibration Range	± 50 g	