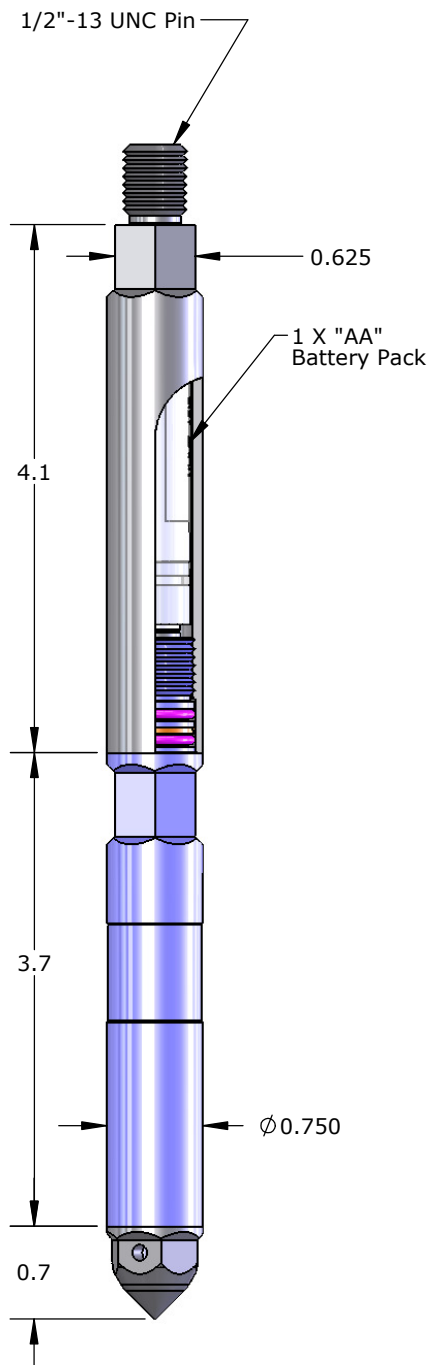


### Features

- ✦ Reliability
- ✦ Simplicity
- ✦ Inclinometer
  - 3 Axis of Measurement
- ✦ Vibration
  - Single Program Rate
  - 2 Axis of Vibration Perpendicular to Well



0.75" OD Inclinometer Memory Tool - SS17-4	
Temperature	Part No.
150 °C	104853

Inclinometer Specifications	
<b>Accuracy</b>	Within 10 Degrees of Vertical
<b>Sample Interval</b>	1 Second/Sample to 1 Hour/Sample
<b>Communication Method</b>	USB

0.75" OD Vibration Memory Tool - SS17-4		
Temperature	Acceleration	Part No.
150 °C	±18 g	105676
	±37 g	104852

Vibration Specifications	
<b>Acceleration Noise</b>	< 0.2 g
<b>Sample Rate</b>	470 Samples/Second for 1 Second Every Hour
<b>Communication Method</b>	USB

Accessory Type	Part No.
Bullnose SS316	100703
Battery Barrel 1 X "AA" SS17-4	104856
Pelican Case Assembly	100756
USB To Serial Converter Assembly	100682
Redress Kit Viton 90	100445
Redress Kit Aflas 7182B	100446
Redress Kit Chemraz 510	100447