




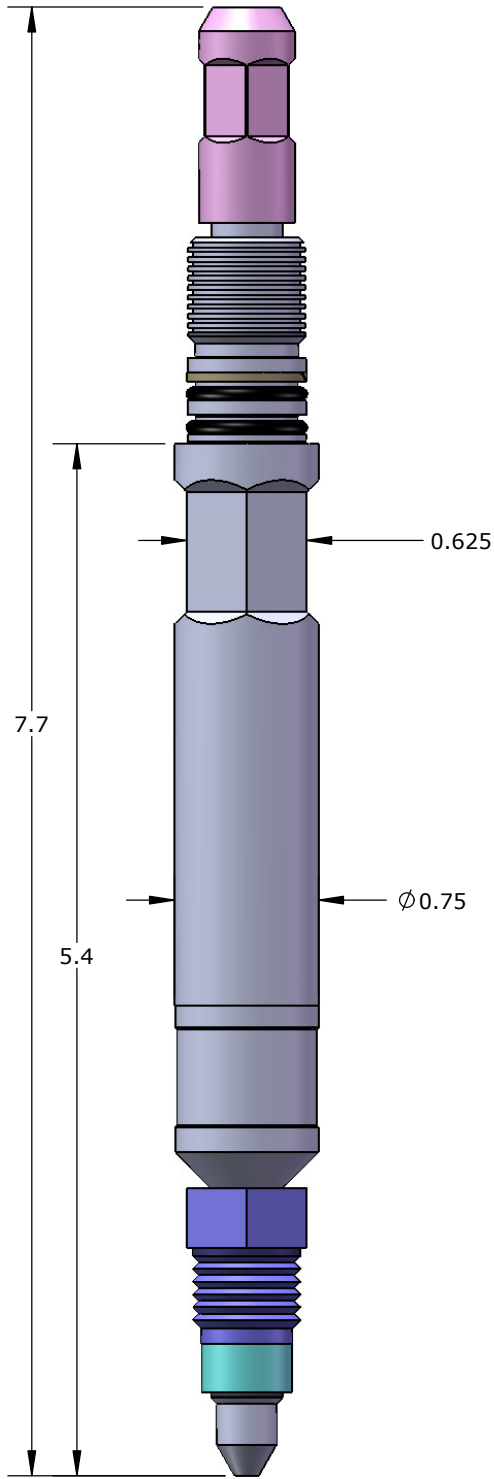


Features

-  Real Time Geothermal Pressure and Temperature Data
-  Fully Welded Construction
-  Hermetically Sealed & Filled with Inert Gas
-  Dual Protection Metal to Metal Seal Design
-  Laboratory Tested for One Year at 260°C



Geothermal SRO Gauge		
Pressure	Wire Size	Part No.
1,500 psi	1/4"	103486
3,000 psi		103487
6,000 psi		103488
10,000 psi		103489
15,000 psi		103490
30,000 psi		103491

Accessory Type	Part No.
TEC - 0.25" OD x 0.028 Wall, 300°C - SS	102353
TEC - 0.25" OD x 0.028 Wall, 300°C - Inconel 718	103507
0.75 OD Cablehead V2 0.25 Wire - SS	101905
0.75 OD Cablehead V2 0.25 Wire - Inconel 718	101915

Specifications		
	Pressure	Temperature
Accuracy Up To	0.1% Full Scale	1°C
Resolution	0.0003% Full Scale	0.005°C
Drift	< 2 % / year	< 1% / year