

Wellhead Outlet II

Application

DataCan's Wellhead Outlet II provides a safe exit for the wire (tubing encapsulated cable) from the wellhead. The WHO II is designed to have metal to metal seals as well as a welded feedthru body which prevent leaks, even at high pressures. The WHO II operates at pressures up to 15,000 psi and temperatures up to 125°C.

Features

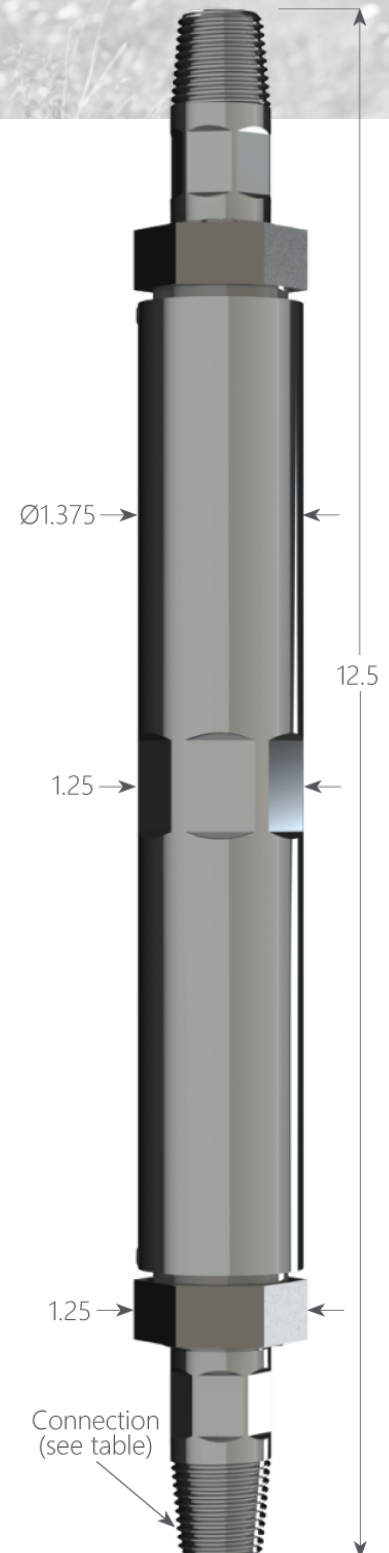
- CSA Explosion Proof Rated
- Metal to Metal Seals
- Welded Glass Feedthru
- Simple Installation
- Single or Multi Conductor
- 15 000 psi
- 125°C

Benefits

DataCan's Wellhead Outlet II has a CSA explosion proof rating and is very quick and easy to install.

CSA Approved Wellhead Outlet II - *5,000 psi			
Wire Size	Connection	Material	Part No.
1/8" OD	1/2" NPT	Stainless Steel	102186
		Inconel 718	109091
1/4" OD		Stainless Steel	102316
		Inconel 718	109092
4 mm OD	9/16" Autoclave	Stainless Steel	102648
	1/2" NPT		102651

Wellhead Outlet II			
Wire Size	Connection	Material	Part No.
1/8" OD	1/2" NPT	Stainless Steel	102631
1/4" OD			102630
4 mm OD			101019



Wellhead Outlet II

Multi Conductor Wellhead Outlet II			
Wire Size	Connection	Material	Part No.
1/8" OD	1/2" NPT	Stainless Steel	102647
1/4" OD			9/16" Autoclave
	4 mm OD		1/2" NPT

Accessories	
Accessory Type	Part No.
Surface Wiring Package	102916