

### Universal Drive

#### Application

DataCan's Universal Drive assembly is used to drive all sizes of DataCan shut in tools. A high temperature drive assembly is available that can operate at temperatures up to 177°C and a high torque universal drive assembly (780:1 gear box) is also now available and offered as our default drive assembly. The Universal Drive is programmed using DataCan download software and is multi cycle programmable for applications where the valve needs to open and close multiple times downhole. Locking 3 X "D" battery packs are used in the drive assembly, which is enough power for the shut in tool to open and close up to 8 times.

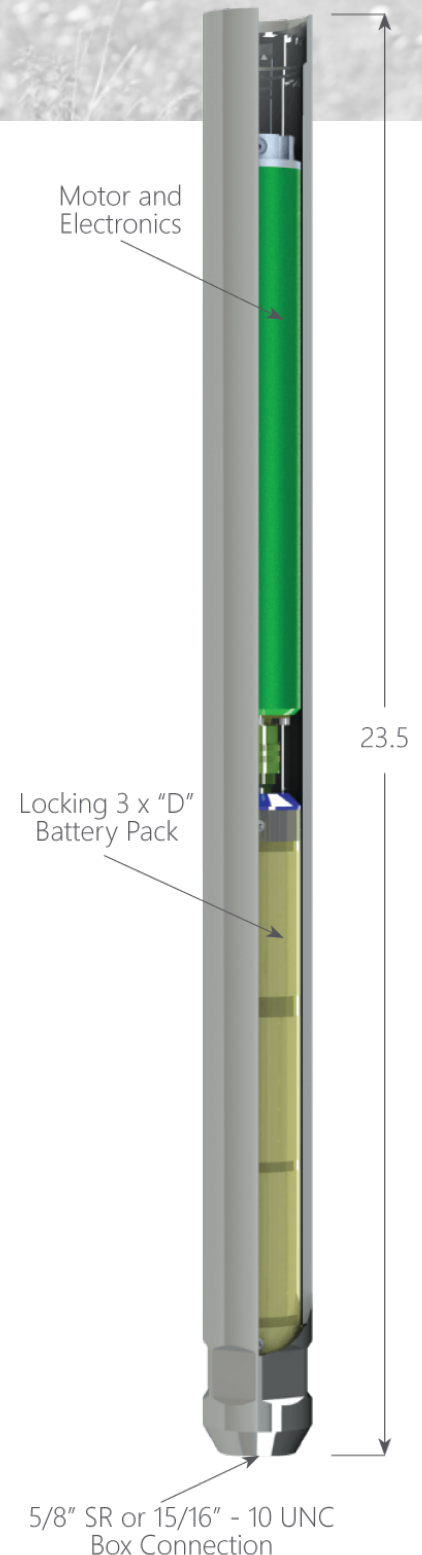
#### Features

- Drop Test Proven
- Connects to All DataCan Valves
- Multiple Cycle Capability
- USB Communication

#### Benefits

Since DataCan's Universal Drive assembly is a universal connection for all DataCan shut in tools, customers do not need to buy multiple drives to run different sizes of valves.

Quick Shut In Tool Universal Drive		
Temperature Rating	Gear Ratio	Part No.
150°C	High Speed	100195
	High Torque	103463
177°C - New	High Speed	102856
	High Torque	103464



### Universal Drive

#### Accessories

Accessory Type	Part No.
Battery Barrel 3 X "D" Inconel 718	103585
Battery Pack_2 x "C" _Amphenol Connector_165°C	100193
Battery Pack_2 x "C" _Amphenol Connector_180°C	101007
USB Communication Cable	101487
12V AC/DC Power Supply	101390
Tool Kit	104227

#### Specifications

Max External Pressure	16,000 psi (1,000 bar)
Max Drive Torque	200 oz-in (1,500mN-m)
Records	Time, Motor Current, Temperature
Capacity	1 Million Samples
Communication Method	USB