

Testable Splice

Application

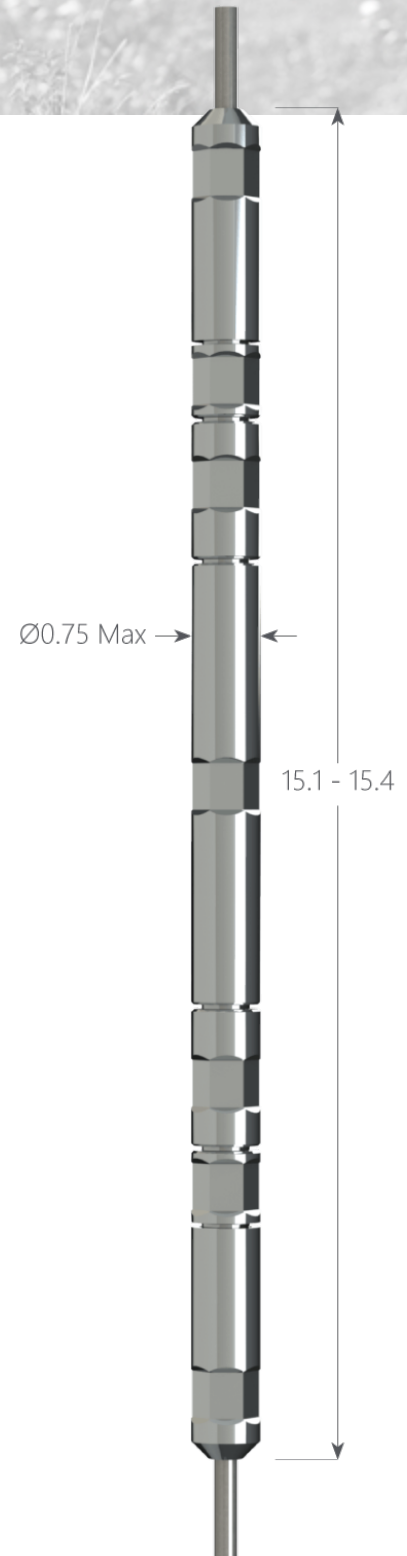
The Testable Splice is similar to the Standard Splice in that it is used to join two conductor cables. However, it is also pressure testable to 20,000 psi for quality assurance. It is characterized by its crimp/crimp electrical connection and metal to metal seals. The simple construction makes it quick and easy to assemble and test on site while providing a reliable electrical and mechanical connection.

Features

- Crimp/Crimp Electrical Connection
- Corrosion Resistant NACE MR0175
- Metal to Metal Seals
- Field testable to 20,000 psi

Benefits

The Testable Splice allows customers to quickly and easily pressure test the seals of the splice at the well site, ensuring a reliable connection.



Testable Splice		
Material	TEC Size	Part No.
Sweet (17-4x SS316)	0.25" OD x 0.25" OD	100068
Sour (Inconel 625, Hastelloy C-276)		100185
Sweet (17-4x SS316)	0.25" OD x 0.125" OD	100607
Sour (Inconel 625, Hastelloy C-276)		100611
Sweet (17-4x SS316)	0.125" OD x 0.125" OD	100542
Sour (Inconel 625, Hastelloy C-276)		100543

Specifications	
Max External Pressure	20,000 psi
Max External Temperature	150°C