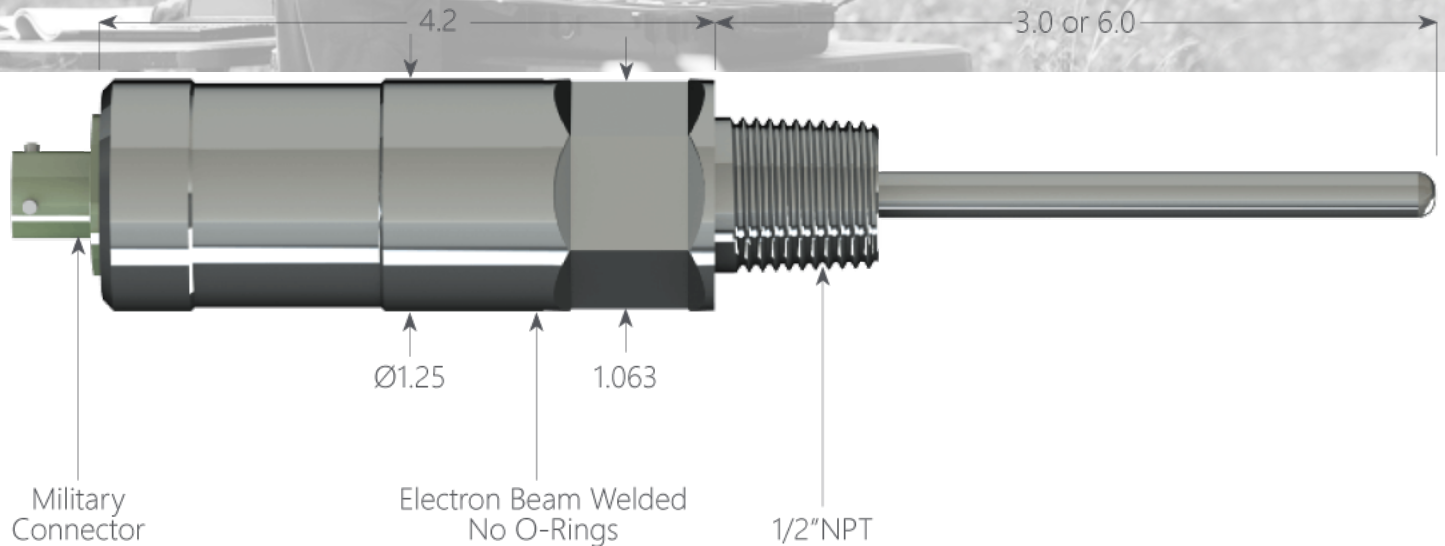


Temperature Transmitter



Features

- Easy to Use Software
- Digital Chart Records
- Multiple Sensor
- Custom Pin or Box Connections Upon Request

Benefits

The Temperature Transmitter has a compact design and low power consumption, making it cost effective for the customer. It also produces the same high quality data that our downhole gauges produce; data that is high accuracy and high resolution while being very reliable.

1.25" Temperature Transmitter - SS17-4

Maximum Pressure	Temperature	Part No.
3" Probe	-40°C to 85°C	101499
6" Probe		101500

Accessories

Accessory Type	Part No.
Data Cable 25ft	101796
Data Cable 50ft	101797
Data Cable 100ft	101798
Adapter 1/2 NPT Pin x HM4	101438

Specifications

	Temperature
Accuracy Up To	0.2°C
Resolution	0.005°C
Drift	< 0.1°C / year>
Communication Method	RS-485 Modbus