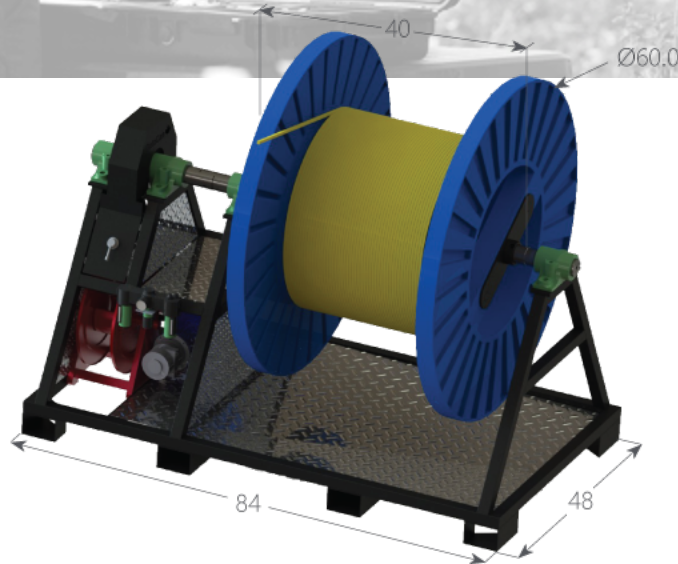


### Spooling Unit



#### Features

- Air Driven 5 HP Variable Speed Motor or Gas Driven 14 HP, 404cc Motor
- Bi-Directional Drive
- Up to 60" Diameter Spool Capacity
- Split Bearings and Shaft for Easy Spool Changes
- Through Spool Communication via 2 Conductor Slip Rings

#### Application

DataCan offers either an Air Spooler or Hydraulic Spooler, both of which are used to run conductor cable into the well. Both spoolers come with through spool communication via two conductor split ring. The spooling units have up to 60" diameter spool capacity and a split bearings and shaft for easy spool changes.

The Air Spooler comes with an air driven, 5 HP, variable speed motor. It has a bi-directional drive with free spooling. This means, during completion, the spooling unit supplies just enough force to produce tension on the line so the wire can follow the depth of the tubing as the tubing is installed. The Air Spooler requires compressed air to operate. For best operation, supply should provide a minimum of 20 cfm at 50 psi. Reduce pressure flow will reduce the amount of force provided by the unit and will reduce its operating speed.

The Hydraulic Spooling Unit comes with a gas driven, 14 HP, 404cc variable speed motor, with a gas reservoir included, making it self-sufficient. It is often used in drop spool applications, where the depth of the conductor cable is controlled by the spooler.

#### Benefits

### Spooling Unit

Since the Air Spooler has free spooling, it does not need a full time operator during installation, making it more cost effective.

Both Spoolers are designed for easy spool replacement. The built in dual conductor split ring allows users to get real time data during install.

Spooling Unit	
Description	Part No.
60" Capacity Air Actuated Skid	102138
60" Capacity Hydraulically Actuated Skid	107286

Optional Equipment	
Description	Part No.
Metric Measuring Head	AM600UU0001
Imperial Measuring Head	AM600UU0002
Measuring Head Arm	107373

Installation Equipment	
Description	Part No.
Slickline Sheave (25 inch)	100691
Installation Tool Kit	104271
Wiper	102863