

### Mini Production Logging Tool

#### Application

The mini production logging tool is very similar and has all the same features as the basic production logging tool, but it is also compatible with a number of different flowmeters. The mini production logging tool has an RTD sensor for fast temperature sensing. Both RTD and piezo pressure sensor are electron beam welded so the tool is less likely to leak making it more reliable. The mini production logging tool has a casing collar locator (CCL) that uses high strength, long life magnets. It is compatible with the 5" or 7" fullbore spinner as well as the 1.375", 1.688" and 2.125" continuous spinner. The "C" sized battery pack used to run this gauge is locking and large enough for long duration jobs.

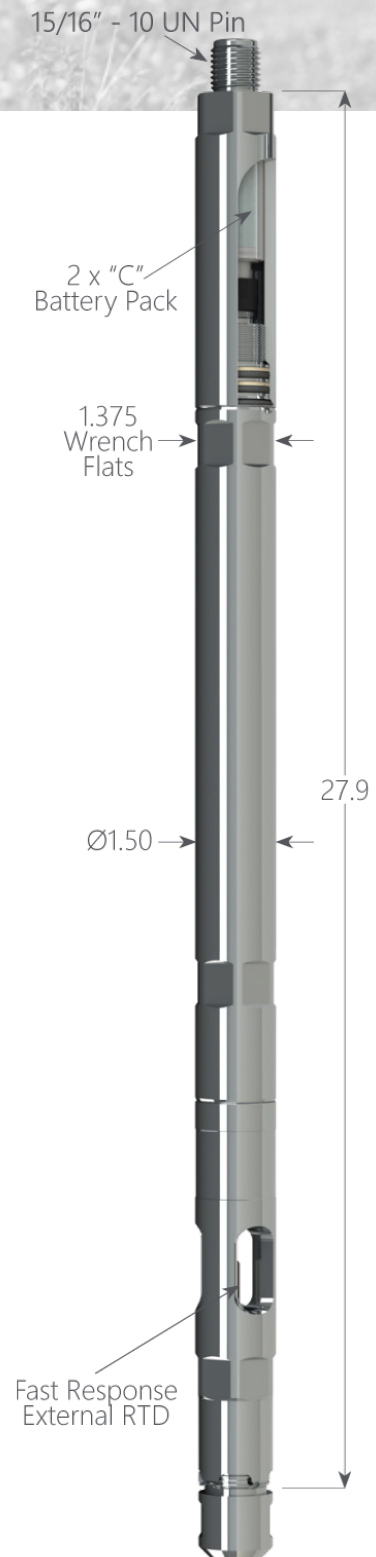
#### Features

- Pressure
- External Fast Response Temperature Probe
- Casing Collar Locator
- Compatible with a Number of Different Flowmeters
- Easy to Use
- Fully Welded Construction
- Inconel 718 - NACE MR0175

#### Benefits

The Mini Production Logging tool runs on slickline. With its compact size and cost effective design, it is a relatively inexpensive solution to the customers' production logging needs. The CCL is highly responsive, even at high temperatures. DataCan program and download software is industry leading with the fastest graphing package available that is both customizable and easy to use.

| 1.5" Basic Production Logging Tool - Inconel 718 |             |          |
|--|-------------|----------|
| Pressure   | Temperature | Part No. |
| 10,000 psi                                       | 150°C       | 107401   |
| 15,000 psi                                       | 177°C       | 107425   |



## Mini Production Logging Tool

| Compatible Spinners |        |                  |             |
|---------------------|--------|------------------|-------------|
| Spinner Type        | Size   | Version          | Part No.    |
| Fullbore Spinner    | 5"     | Standard Service | AM005WA0002 |
|                     |        | H2S Service      | AM005WB0002 |
|                     | 7"     | Standard Service | AM005WA0008 |
|                     |        | H2S Service      | AM005WB0008 |
| Continuous Spinner  | 1.375" | Standard Service | AM005WA0003 |
|                     |        | H2S Service      | AM005WB0003 |
|                     | 1.688" | Standard Service | AM005WA0004 |
|                     |        | H2S Service      | AM005WB0004 |
|                     | 2.125" | Standard Service | AM005WA0007 |
|                     |        | H2S Service      | AM005WB0007 |

| Accessories                         |          |
|-------------------------------------|----------|
| Accessory Type                      | Part No. |
| Battery Barrel 1 X "C" Inconel 718  | 105047   |
| Battery Barrel 1 X "CC" Inconel 718 | 105123   |
| Pelican Case Assembly               | 105125   |
| Redress Kit Viton 90                | 105126   |
| Redress Kit Aflas 7182B             | 105127   |
| Redress Kit Chemraz 510             | 105128   |

| Specifications        |   |              |               |
|-----------------------|---|--------------|---------------|
|                       | Pressure                                      | Temperature  | Accelerometer |
| Accuracy              | 0.022 % F.S.                                  | 0.25°C       | 0.1 g         |
| Resolution            | 0.0003% F.S.                                  | 0.005°C      | 0.01 g        |
| Drift                 | < 3 psi/year                                  | < 0.1°C/year | -             |
| Casing Collar Locator |   |              |               |
| Detector Type         | Electromagnetic                               |              |               |
| Flowmeter             |   |              |               |
| Minimum Rotation      | 0 rpm   |              |               |
| Maximum Rotation      | 8760 rpm                                      |              |               |
| Input                 | 6 Pulses/Revolution                           |              |               |
| Max Flow Rate         | 550 ft/min                                    |              |               |
| Output                | 6 Pulses/Revolution                           |              |               |
| Accuracy              | 0.02  |              |               |
| Resolution            | 0.125 rps                                     |              |               |
| Memory                |   |              |               |
| Capacity              | 1 Million Samples (8 High Sample Rate Events) |              |               |
| Communication Method  | USB   |              |               |