

2.375" Valve

Application

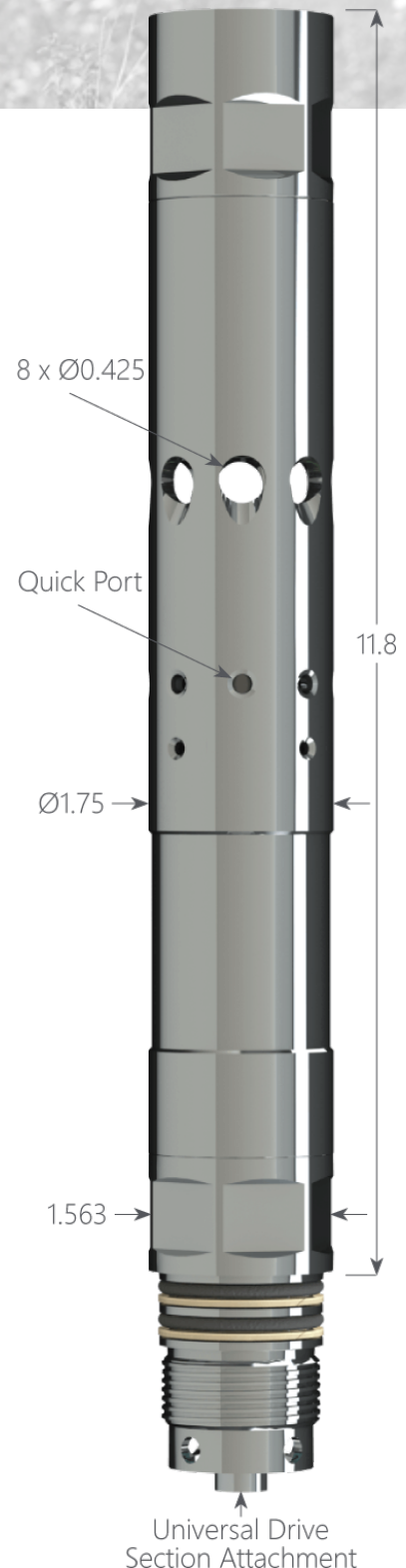
DataCan's shut in tool allows the well-bore to be shut in downhole rather than at surface. The process of shutting in a well downhole eliminates the "well bore storage effects". Well bore storage effects are the result of long lengths of production tubing that need to be pressurized before the buildup can be recorded. DataCan's 2.375" Valve is 1.75" in diameter with a 1.135 square inch flow area and can be used in either 2-3/8" and 2-7/8" tubing. DataCan's patented instant close valve design has multiple cycle capability and can operate at temperatures up to 150°C. The 2.375" Valve is very durable and can withstand the most physical of downhole conditions.

Features

- Instant Close Time
- Multiple Cycle Capability
- Metal to Metal Seals
- Eliminates Wellbore Storage Effect
- Modular Design

Benefits

DataCan's downhole shut in tool allows for a quicker well build up and better pressure data quality. This saves operators money on down time, and gives reservoir engineers better data for their calculations.



1.75" Quick Shut In Tool Production Valve

Assembly Type	Material	Part No.
Sour Version	Inconel 718	100126

Accessories

Accessory Type	Part No.
Pelican Case Assembly	100193
Redress Kit Viton 90	100190
Redress Kit Aflas 7182B	100191
Redress Kit Chemraz 510	100192

2.375" Valve

Specifications	
Closing Time	Instantaneous
Valve Flow Area	1.135 in ² (7.3 cm ²)
Lock Mandrel Flow Area	1.00 in ² (6.5 cm ²)
Max External Pressure	15,000 psi (1,000 bar)
Max Differential Pressure	10,000 psi (700 bar)
Max Temperature	350°C (177°C)
Power Source	3 "D" Cell Battery Pack (11.0 V, 10.0 Ahr)
Communication Method	USB